

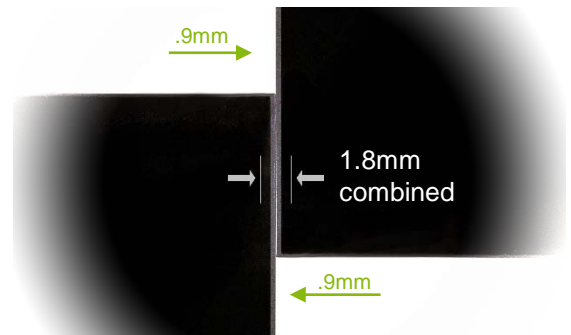
# The New Standard

The New Standard video wall series features a slim profile and a wide range of digital video input options (HDMI, DVI and DisplayPort). Like all GPO Display video walls, these displays are built for 24/7/365 operation. Optional Auto Condition Reporting (ACR) Lite provides basic real-time monitoring and diagnostics. Extreme Narrow Bezel video walls (1.7mm - 1.8mm combined bezel gap) and Ultra Narrow Bezel (3.5mm combined bezel gap) are available in 46", 49", and 55" screen sizes.

# Features

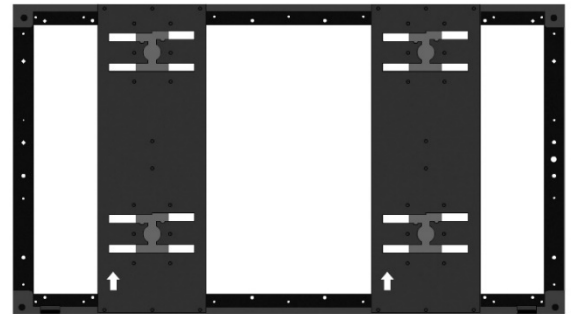
## Uniform Bezel

Extreme Narrow Bezel (ENB) displays feature a uniform bezel 0.9mm bezel on all sides for a tiled gap of 1.8mm. This makes for a cleaner, less-prominent bezel appearance when compared to other LCD video wall displays.



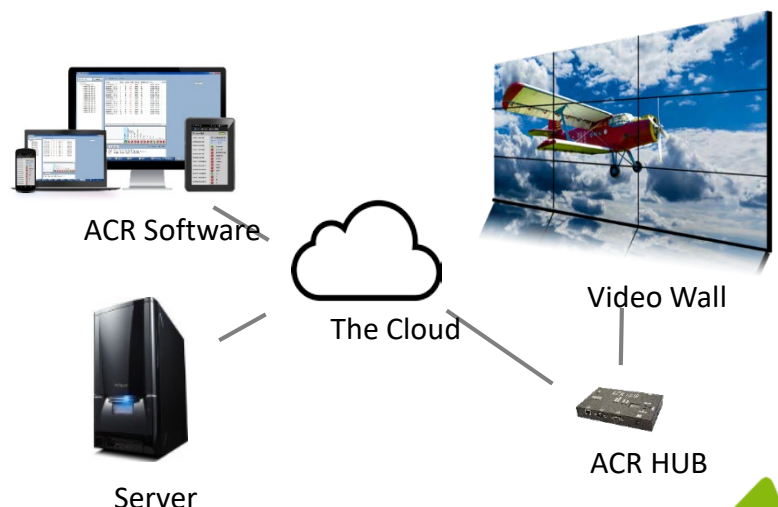
## Auto-Aligning H- Mount

GPO Display's new & improved H-Mount video wall mounting system ensures quick, easy installation with virtually automatic alignment. The H-Mount frame matches the outline dimensions of the display, making for less measuring & re-measuring during the installation process. The unique channel system allows for access to individual displays without the dismounting of neighboring displays. H-Mounts even come with side covers/trim at no additional cost. Most importantly, H-Mounts prevent shifts in alignment over time- an issue commonly associated with front-accessible mounting solutions. For video wall arrays with three or fewer rows of displays, the H-Mount is the ideal solution.



## Optional Auto Condition Reporting (ACR) Lite System

ACR *Lite* is a basic version of our [Auto Condition Reporting](#) diagnostic/monitoring tool for video wall displays. Real-time status readouts for each display can be gathered on the ACR Hub (a device which sits in the RS-232 control path), on a PC running ACR software, or on an Android tablet or mobile device. From there, users can gather real-time information such as ACR network connectivity, internal display temperature, power state, and input activity. The ACR Android application also allows users to treat their phone as a remote controller, with power on/off, OSD menu access and other simple control functions.



# NSV49MLE

## Panel Attributes

|                          |  |
|--------------------------|--|
| Screen Size (Diag.)      | 49"  |
| Panel Technology         | Commercial-grade IPS / Direct-LED backlight                |
| Resolution               | 1920 x 1080  |
| Pixel Pitch (mm)         | 0.55926 (H) x 0.55926 (V)                                  |
| Surface Treatment        | Hard coating (3H), Anti-glare treatment of front polarizer |
| Brightness (Typ.)        | 500nit   |
| Contrast Ratio (Typ.)    | 1,300:1 / 500,000:1 (DCR)                                  |
| Displayable Colors       | 10bit(D), 1.07 Billion colors                              |
| Viewing Angle            | 178° (min) / 178° (min)                                    |
| Response Time (Typ. GTG) | 12ms   |
| Aspect Ratio             | 16:9   |
| Tiled Bezel Width        | 1.8 mm (combined)  |
| Refresh rate             | 60Hz   |

## Dimensions, Power & Other

|                                       |       |                                     |
|---------------------------------------|-------|-------------------------------------|
| Dimension (W x H x D) / Weight (typ.) | Net   | 42.35" x 23.86" x 3.22", 51lbs      |
|                                       | Gross | 46" x 29" x 8", 63lbs               |
| VESA Pattern (mm)                     |       | 600 X 400                           |
| Electrical Ratings                    |       | AC 100 - 240V (50/60Hz)             |
| Power Consumption (Typ.)              |       | 90W / 1.1A                          |
| BTU rating (Typ.)                     |       | 307                                 |
| Mullion Compensation                  |       | SICP software or Remote control     |
| Operating Temperature                 |       | 32°F - 104°F                        |
| Operating Humidity Range              |       | 10~80%                              |
| Possible Display Type                 |       | Landscape and Portrait-Compatible   |
| Industrial Reliability                |       | 60,000+ Hours                       |
| Warranty                              |       | Three Years (Limited Parts & Labor) |

## Connectivity

|                 |   |
|-----------------|---|
| DisplayPort     | 1 x Input, (use DVI Output for daisy-chain) |
| HDMI            | 1 x Input, (use DVI Output for daisy-chain) |
| DVI             | 1 x Input, 1 x output                       |
| VGA             | 1 x Input, 1 x output                       |
| RS232           | 1 x Input, 1 x output                       |
| ACR Lite System | Optional                                    |
| ACR Hub         | Optional                                    |

## Project-based Factory Color Calibration

All New Standard-series displays are assembled-to-order on a project basis. This allows for more accurate color calibration prior to shipment. By pre-calibrating and ensuring a match between displays associated with a single deployment, GPO Display reduces the need for post-installation calibration and adjustments.



## Quick Preset Function

GPO Display can create "wild card" commands that allow users to get the most out of their video walls when a simple matrix switcher is in place. These "Quick Presets" allow you to recall a source layout with only a single command, reducing transition times between presets and minimizing programming of control systems.



## (Optional) ACR HUB

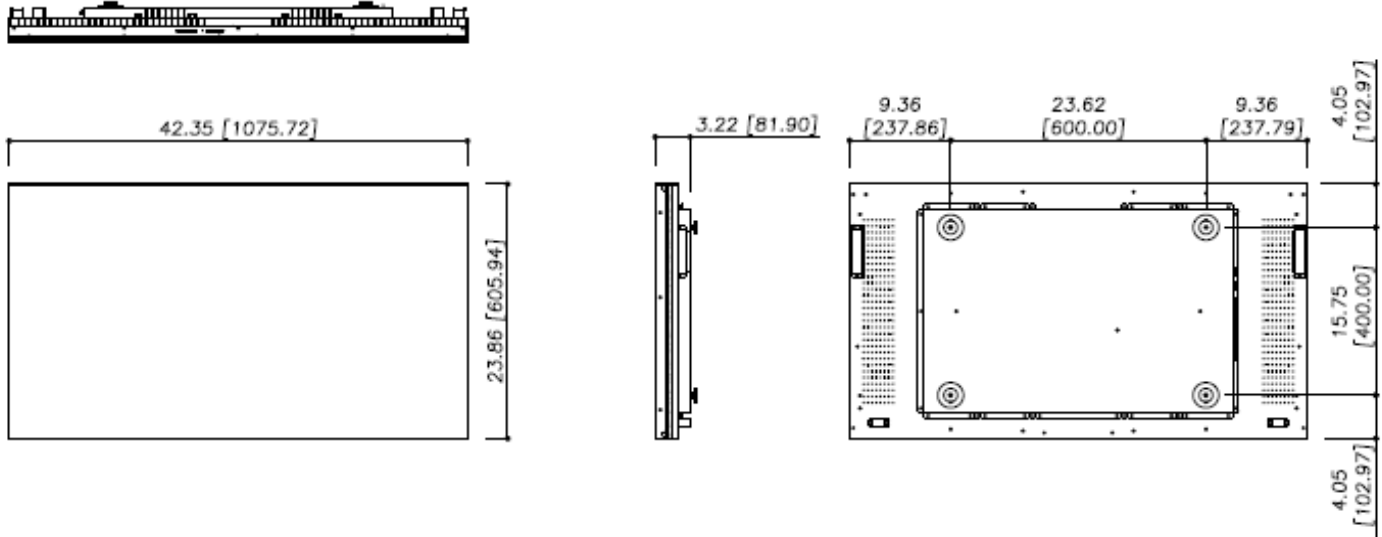
The ACR Hub serves as both a central point for ACR Lite display monitoring as well as an IR extender for remote controllers. This allows users to address one or all sets in a video wall array via remote control.

- 24/7/365-Rated
- Built-in Video Wall Processor (up to 10x10 Natural Mode)
- Quick Preset Function
- Optional Auto Condition Reporting (ACR) Lite
- Includes [Video Wall Control Software](#)
- Includes necessary cables for daisy-chain of both control and video signals

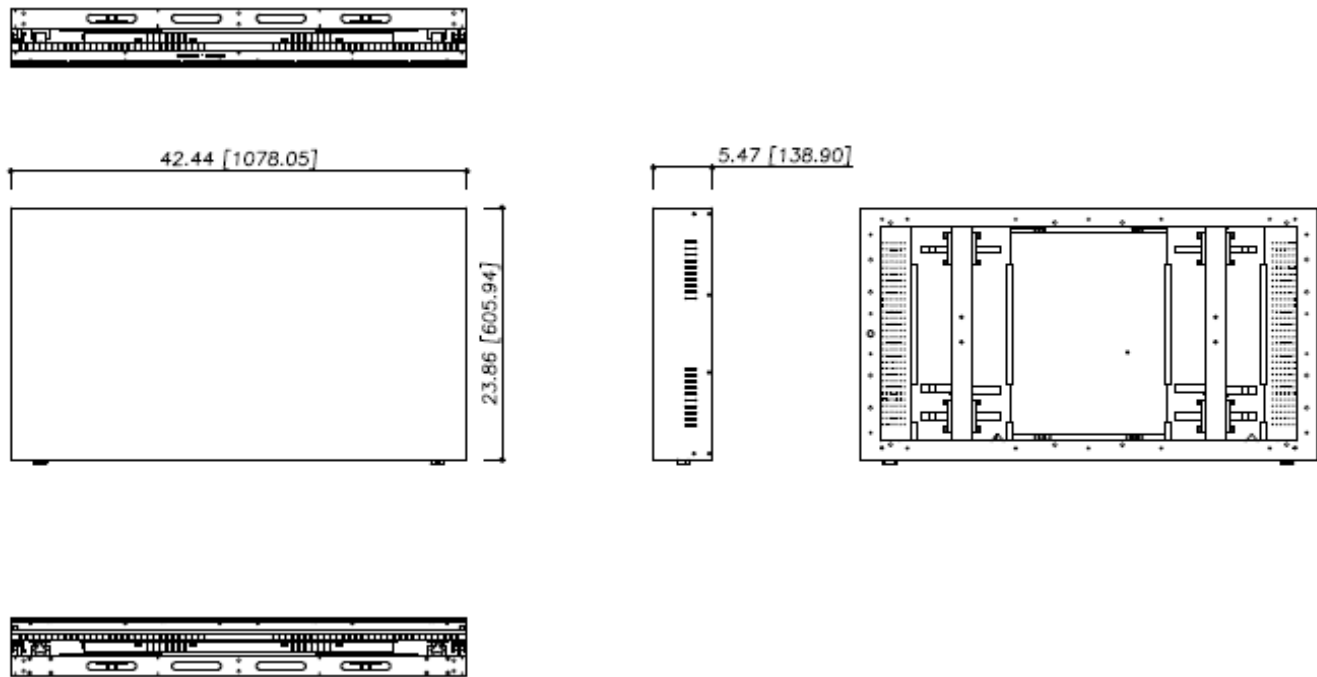


# Mechanical Drawing

## Set Drawing



## Set + H-Mount Drawing



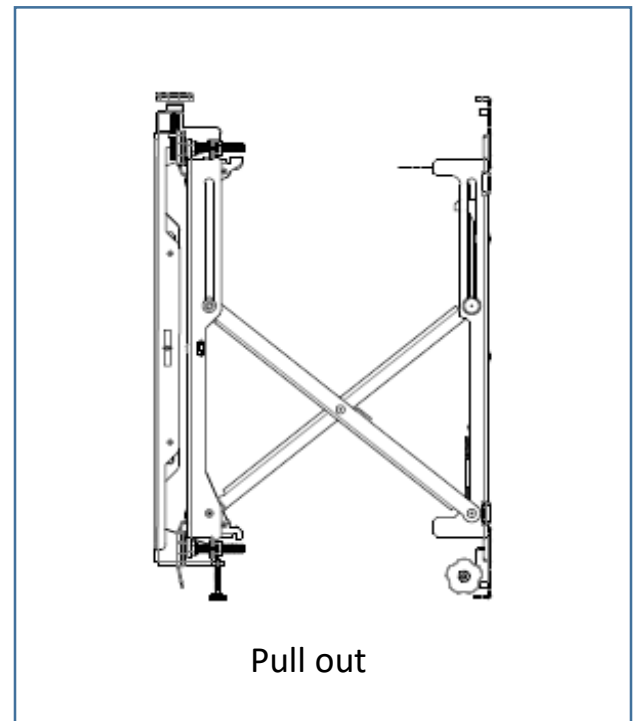
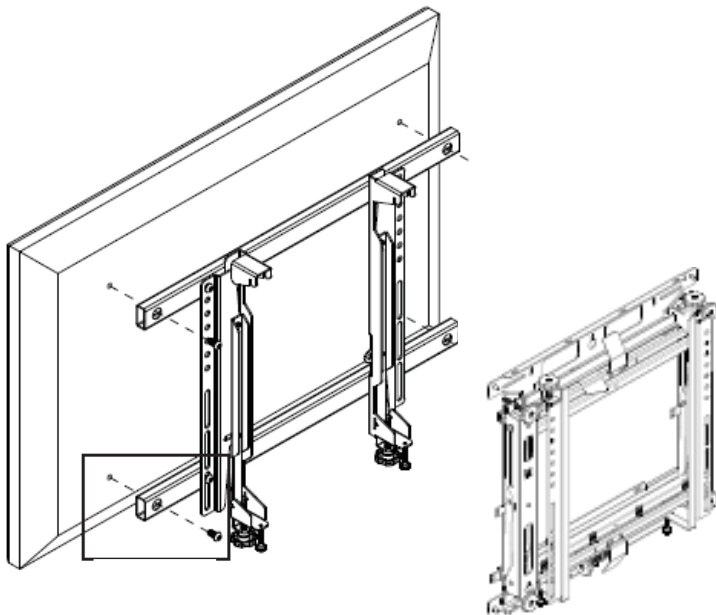
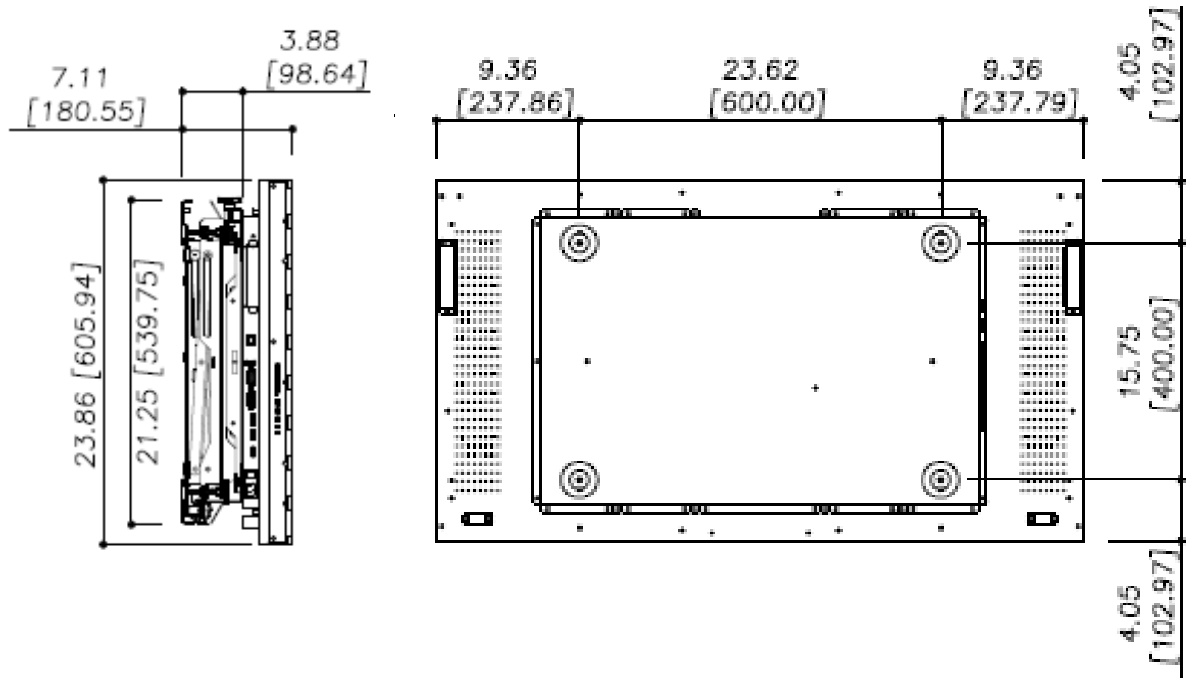
Note: GPO Display may change specifications and designs without notice

Accessories with product: RS-232 cable, DVI cable, VGA cable, AC Power Cord, Remote Control, Batteries for remote control, User manual & Software on USB Flash Drive



# Mechanical Drawing

## Set + Full Service Mount Drawing



Note: GPO Display may change specifications and designs without notice

Accessories with product: RS-232 cable, DVI cable, VGA cable, AC Power Cord, Remote Control, Batteries for remote control, User manual & Software on USB Flash Drive