

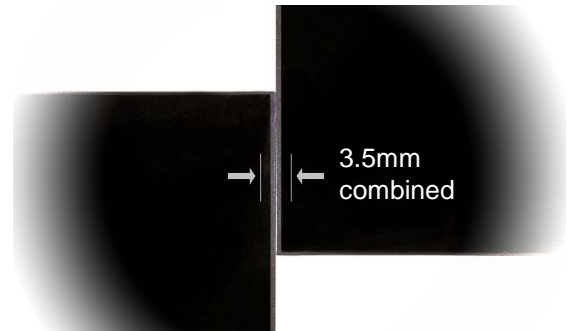
The New Standard

The New Standard video wall series features a slim profile and a wide range of digital video input options (HDMI, DVI and DisplayPort). Like all GPO Display video walls, these displays are built for 24/7/365 operation. Optional Auto Condition Reporting (ACR) Lite provides basic real-time monitoring and diagnostics. Extreme Narrow Bezel video walls (1.7mm - 1.8mm combined bezel gap) and Ultra Narrow Bezel (3.5mm combined bezel gap) are available in 46", 49", and 55" screen sizes.

Features

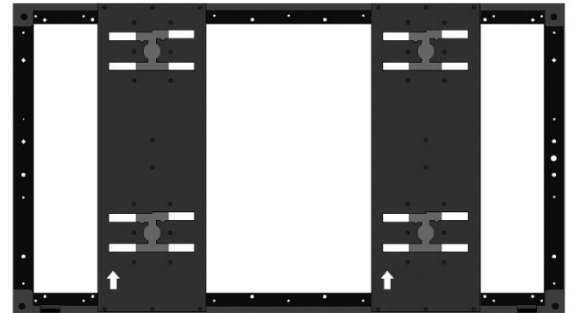
Ultra Narrow Bezel

Ultra Narrow Bezel (UNB) displays feature near seamless combined bezel of 3.5mm. This Ultra Narrow tiled gap makes for truly stunning arrays at any size.



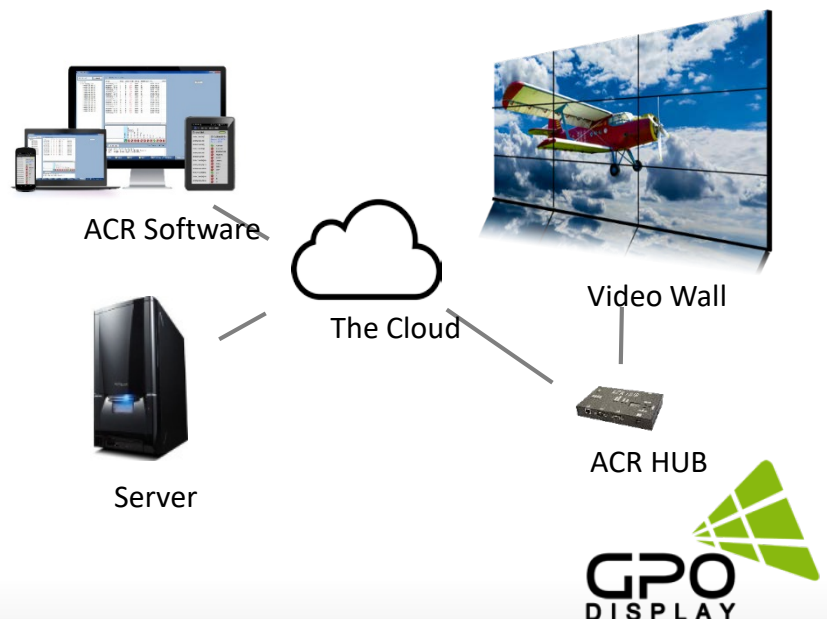
Auto-Aligning H-Mount

GPO Display's new & improved H-Mount video wall mounting system ensures quick, easy installation with virtually automatic alignment. The H-Mount frame matches the outline dimensions of the display, making for less measuring & re-measuring during the installation process. The unique channel system allows for access to individual displays without the dismounting of neighboring displays. H-Mounts even come with side covers/trim at no additional cost. Most importantly, H-Mounts prevent shifts in alignment over time- an issue commonly associated with front-accessible mounting solutions. For video wall arrays with three or fewer rows of displays, the H-Mount is the ideal solution.



Optional Auto Condition Reporting (ACR) Lite System

ACR *Lite* is a basic version of our [Auto Condition Reporting](#) diagnostic/monitoring tool for video wall displays. Real-time status readouts for each display can be gathered on the ACR Hub (a device which sits in the RS-232 control path), on a PC running ACR software, or on an Android tablet or mobile device. From there, users can gather real-time information such as ACR network connectivity, internal display temperature, power state, and input activity. The ACR Android application also allows users to treat their phone as a remote controller, with power on/off, OSD menu access and other simple control functions.



NSV46MSU

Panel Attributes

| | |
|--------------------------|--|
| Screen Size (Diag.) | 46" |
| Panel Technology | Commercial-grade SPVA / Direct-LED backlight |
| Resolution | 1920 x 1080 |
| Pixel Pitch (mm) | 0.53025 (H) x 0.53025 (V) |
| Surface Treatment | Hard coating (3H), Haze 44% (Typ.) |
| Brightness (Typ.) | 500nit |
| Contrast Ratio (Typ.) | 3,500:1 / 10,000:1 (DCR) |
| Displayable Colors | 8bit(D), 16.7 Million colors |
| Viewing Angle | 178° (min) / 178° (min) |
| Response Time (Typ. GTG) | 8ms |
| Aspect Ratio | 16:9 |
| Tiled Bezel Width | 3.5 mm (combined) |
| Refresh rate | 60Hz |

Dimensions, Power & Other

| | | |
|--------------------------------------|-------|-------------------------------------|
| Dimension (W x H x D), Weight (typ.) | Net | 40.24" x 22.7" x 3.21", 50lbs |
| | Gross | 46" x 29" x 8", 62lbs |
| VESA Pattern (mm) | | 400 X 300 |
| Electrical Ratings | | AC 100 - 240V (50/60Hz) |
| Power Consumption (Typ.) | | 120W / 1.4A |
| BTU rating (Typ.) | | 409 |
| Mullion Compensation | | SICP software or Remote control |
| Operating Temperature | | 32°F - 104°F |
| Operating Humidity Range | | 10~80% |
| Possible Display Type | | Landscape and Portrait-Compatible |
| Industrial Reliability | | 50,000+ Hours |
| Warranty | | Three Years (Limited Parts & Labor) |

Connectivity

| | |
|-----------------|---|
| DisplayPort | 1 x Input, (use DVI Output for daisy-chain) |
| HDMI | 1 x Input, (use DVI Output for daisy-chain) |
| DVI | 1 x Input, 1 x output |
| VGA | 1 x Input, 1 x output |
| RS232 | 1 x Input, 1 x output |
| ACR Lite System | Optional |
| ACR Hub | Optional |

Project-based Factory Color Calibration

All New Standard-series displays are assembled-to-order on a project basis. This allows for more accurate color calibration prior to shipment. By pre-calibrating and ensuring a match between displays associated with a single deployment, GPO Display reduces the need for post-installation calibration and adjustments.



Quick Preset Function

GPO Display can create "wild card" commands that allow users to get the most out of their video walls when a simple matrix switcher is in place. These "Quick Presets" allow you to recall a source layout with only a single command, reducing transition times between presets and minimizing programming of control systems.



(Optional) ACR HUB

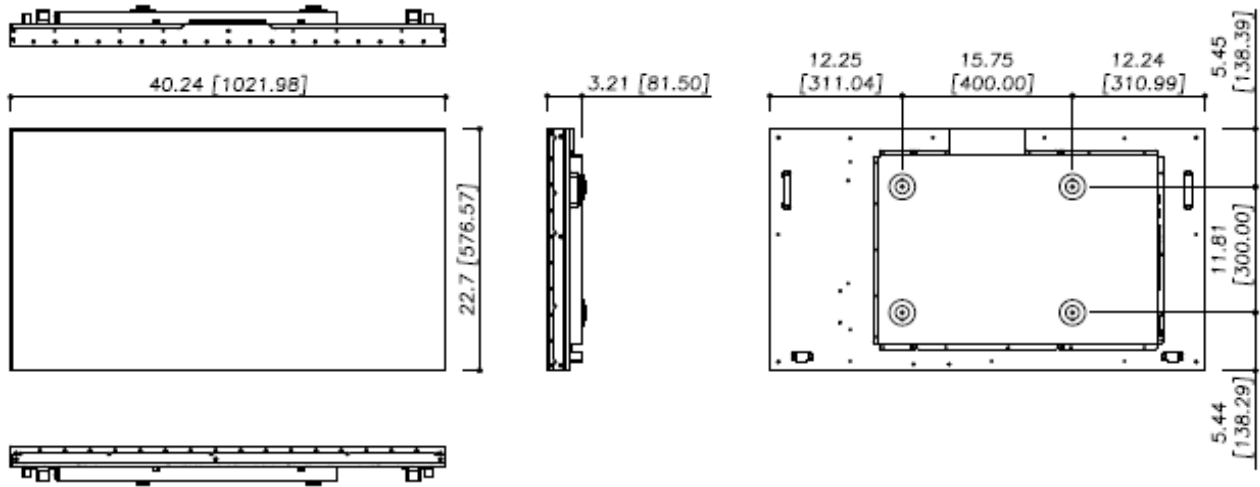
The ACR Hub serves as both a central point for ACR Lite display monitoring as well as an IR extender for remote controllers. This allows users to address one or all sets in a video wall array via remote control.

- 24/7/365-Rated
- Built-in Video Wall Processor (up to 10x10 Natural Mode)
- Quick Preset Function
- Optional Auto Condition Reporting (ACR) Lite
- Includes [Video Wall Control Software](#)
- Includes necessary cables for daisy-chain of both control and video signals

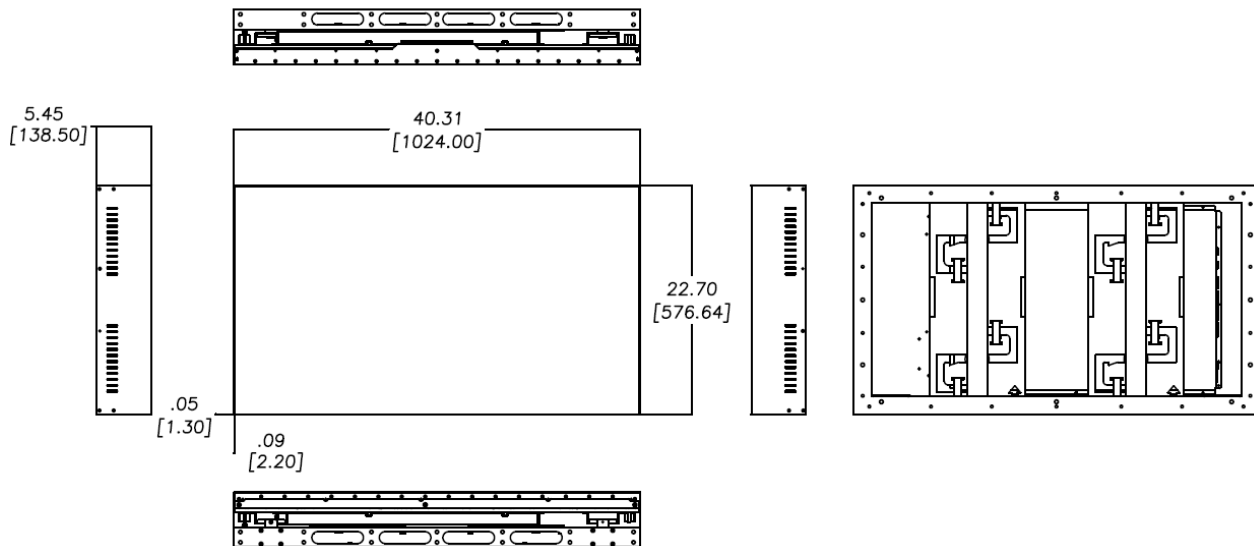


Mechanical Drawing

Set Drawing



Set + ZLM Mount Drawing



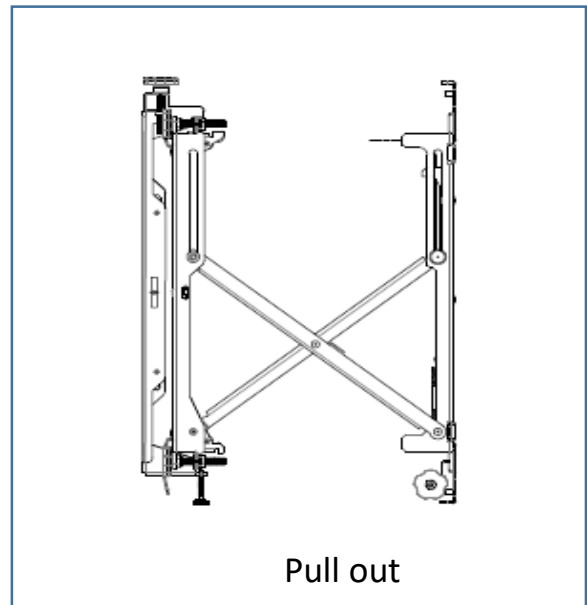
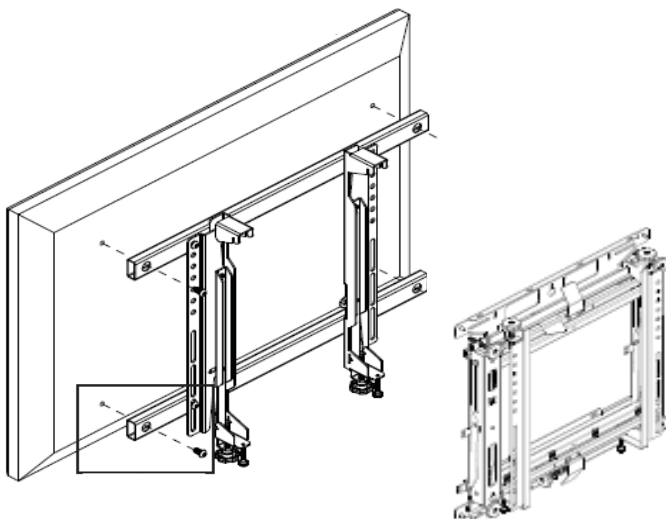
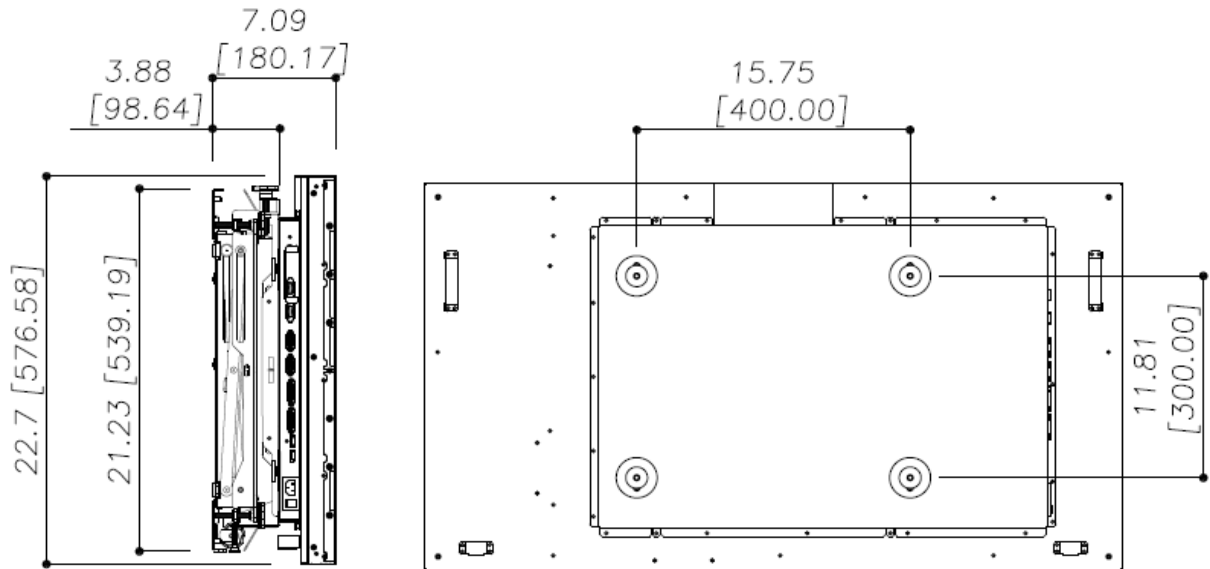
Note: GPO Display may change specifications and designs without notice

Accessories with product: RS-232 cable, DVI cable, VGA cable, AC Power Cord, Remote Control, Batteries for remote control, User manual & Software on USB Flash Drive



Mechanical Drawing

Set + Full Service Mount Drawing



Note: GPO Display may change specifications and designs without notice

Accessories with product: RS-232 cable, DVI cable, VGA cable, AC Power Cord, Remote Control, Batteries for remote control, User manual & Software on USB Flash Drive