

# Video Wall Display

## Self-Monitoring Video Wall



## EN49HLE

### Panel Attributes

|                          |  |
|--------------------------|--|
| Screen Size (Diag.)      | 49"  |
| Panel Technology         | Commercial-grade IPS / Direct-LED backlight                |
| Resolution               | 1920 x 1080  |
| Pixel Pitch (mm)         | 0.55926 (H) x 0.55926 (V)                                  |
| Surface Treatment        | Hard Coating (3H), Anti-glare treatment of front polarizer |
| Brightness (Typ.)        | 700nit   |
| Contrast Ratio (Typ.)    | 1,300:1 / 500,000:1 (DCR)                                  |
| Displayable Colors       | 10bit(D), 1.07 Billion colors                              |
| Viewing Angle            | 178° (min) / 178° (min)                                    |
| Response Time (Typ. GTG) | 12ms   |
| Aspect Ratio             | 16:9   |
| Tiled Bezel Width        | 1.8 mm (combined)  |
| Refresh rate             | 60Hz   |

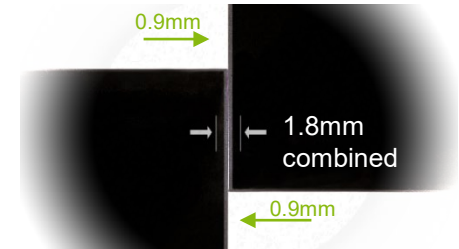
### Dimensions, Power & Other

|                                      |       |                                   |
|--------------------------------------|-------|-----------------------------------|
| Dimension (W x H x D), Weight (typ.) | Net   | 42.35" x 23.86" x 4.32" , 52lbs   |
|                                      | Gross | 46" x 29" x 8" , 64lbs            |
| VESA Pattern (mm)                    |       | 600 x 400                         |
| Electrical Ratings                   |       | AC 100 - 240V (50/60Hz)           |
| Power Consumption (Typ.)             |       | 150W / 1.8A                       |
| BTU rating (Typ.)                    |       | 512                               |
| Mullion Compensation                 |       | SICP software or Remote control   |
| Operating Temperature                |       | 32°F - 104°F                      |
| Operating Humidity Range             |       | 10~80%                            |
| Possible Display Type                |       | Landscape and Portrait-Compatible |
| Industrial Reliability               |       | 60,000+ Hours                     |
| Warranty                             |       | Three Years – Cover 3 / Quick 3   |

### Connectivity

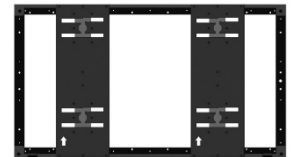
|                                       |                       |
|---------------------------------------|-----------------------|
| DVI (HDCP-compliant)                  | 2 x Input, 2 x Output |
| VGA                                   | 1 x Input, 1 x Output |
| RS232C                                | 1 x Input, 1 x Output |
| LAN                                   | 1 x Input (ACR Only)  |
| ACR (Auto Condition Report) Indicator | Yes                   |
| ACR Network & Monitoring Program      | Included              |
| ACR Hub                               | Included              |

### Uniform Bezel



### Auto-Aligning H- Mount

GPO Display's new & improved H-Mount video wall mounting system ensures quick, easy installation with Virtually automatic alignment. H-Mounts also prevent shifts in alignment over time- an issue commonly associated with front-accessible mounting solutions.



### Auto-Condition Reporting (ACR)

ACR provides real-time readouts showing power supply & LED backlight operation, internal temperature and input activity. This greatly reduces diagnostic turn-around time, improves service planning & maintenance, and ensures minimal downtime for your video wall.

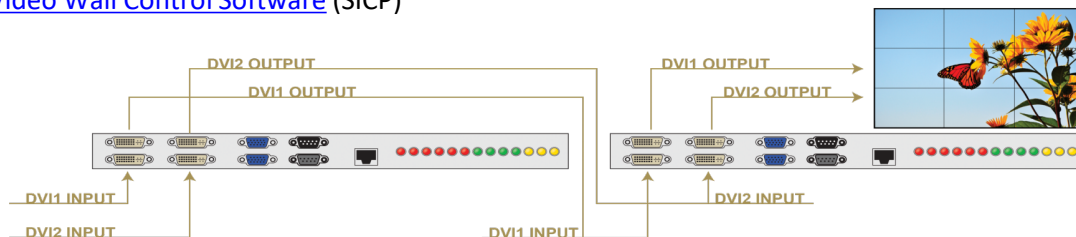


### ACR Hub



- ❖ LED status indicators
- ❖ ON/OFF Scheduler
- ❖ IR remote extender

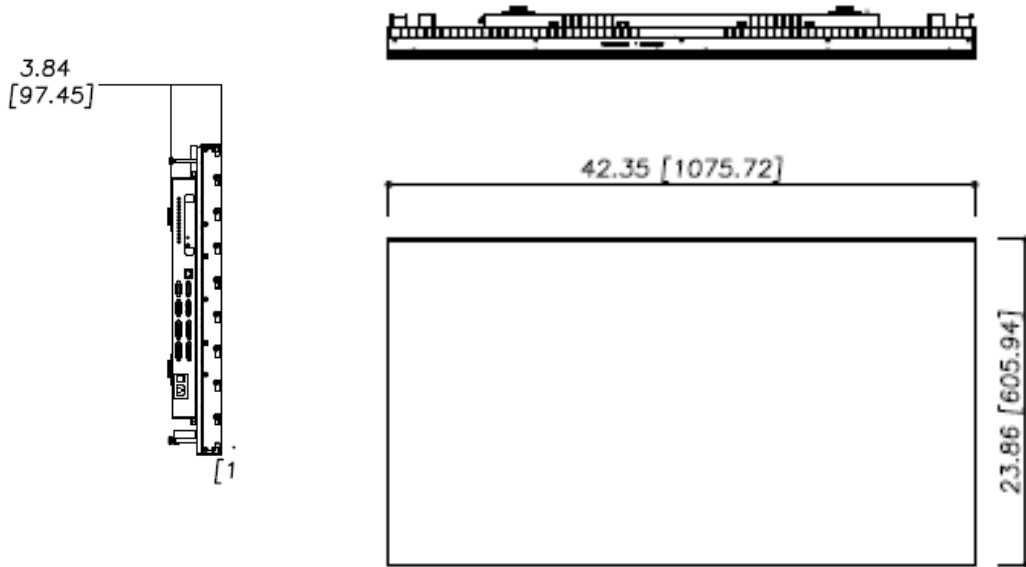
- ✓ [ACR \(Auto-Condition Reporting\)](#) Monitoring System
- ✓ Quick Preset Function
- ✓ Built-in Video Wall Processor (up to 10x10 natural mode)
- ✓ Includes [Video Wall Control Software](#) (SICP)
- ✓ Includes necessary cables for daisy-chain of both control and video signals
- ✓ 24/7/365-Rated



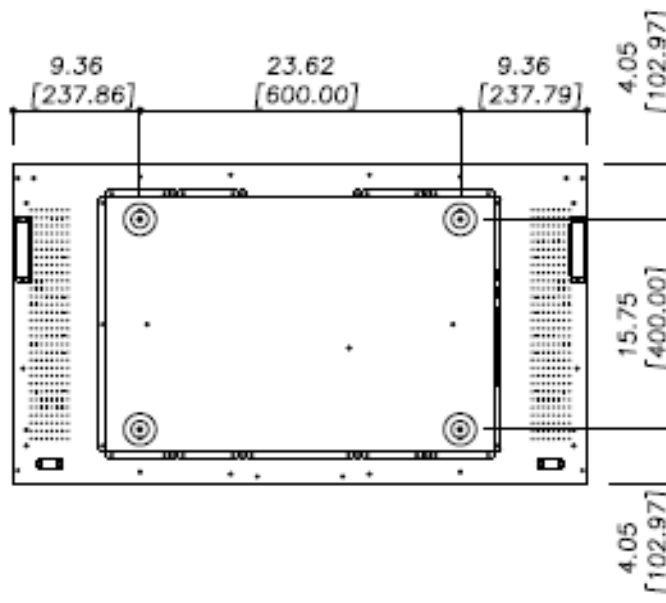
\* GPO Display may change specifications and designs without notice.

Our self-monitoring model video wall is designed for the most demanding, mission-critical applications. These displays include our [Auto-Condition Reporting \(ACR\)](#) monitoring system which provides immediate video wall diagnostics; allowing you to maintain maximum up time for your video wall and improve service planning. With the most comprehensive diagnostic tool for displays in the industry, you can rest assured knowing that your video wall will perform to its potential over the years.

## Front Drawing



## Rear Drawing



Note: GPO Display may change specifications and designs without notice

Accessories with product: RS-232 cable, DVI cable, AC Power Cord, Remote Control, Batteries for remote control, User manual & Software on USB Flash Drive