

Video Wall Display

Self-Monitoring Video Wall



EN46MSU

Panel Attributes

Screen Size (Diag.)	46"
Tiled Bezel Width	3.5 mm
Panel Technology	Commercial-grade SPVA/ Direct-LED
Resolution	1920 x 1080
Surface Treatment	Hard Coating(3H), Haze 44%
Pixel Pitch (mm)	0.53025x0.53025(H x V)
Refresh rate	60Hz
Brightness (Typ.)	500nit
Native Contrast Ratio (Typ.)	3,500:1
Displayable Colors	16.7M
Viewing Angle	178° / 178°
Response Time (Typ. GTG)	8ms

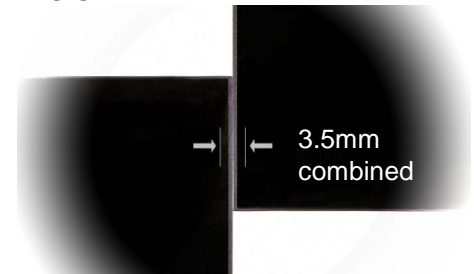
Dimensions, Power & Other

Dimension (W x H x D), Weight (typ.)	Net	47.24" x 22.7" x 3.92", 50lbs
	Gross	46" x 29" x 8" , 62lbs
VESA Pattern (mm)		400 x 300
Electrical Ratings		AC 100 - 240V (50/60Hz)
Power Consumption (Typ.)		120W / 1.4A
BTU rating (Typ.)		409
Mullion Compensation		SICP software or Remote control
Operating Temperature		32°F - 104°F
Operating Humidity Range		10~80%
Possible Display Type		Landscape and Portrait-Compatible
Industrial Reliability		50,000+ Hours
Warranty		Three Years – Cover 3 / Quick 3

Connectivity

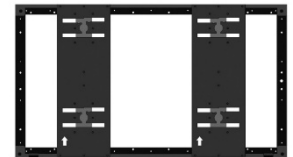
DVI (HDCP-compliant)	2 x Input, 2 x output
VGA	1 x Input, 1 x output
RS232C	1 x Input, 1 x output
LAN	1 x Input
ACR (Auto Condition Report) Indicator	Yes
ACR Network & Monitoring Program	Included
ACR Hub	Included

Uniform Bezel



Auto-Aligning H- Mount

GPO Display's new & improved H-Mount video wall mounting system ensures quick, easy installation with Virtually automatic alignment. H-Mounts also prevent shifts in alignment over time- an issue commonly associated with front-accessible mounting solutions.



Auto-Condition Reporting (ACR)

ACR provides real-time readouts showing power supply & LED backlight operation, internal temperature and input activity. This greatly reduces diagnostic turn-around time, improves service planning & maintenance, and ensures minimal downtime for your video wall.

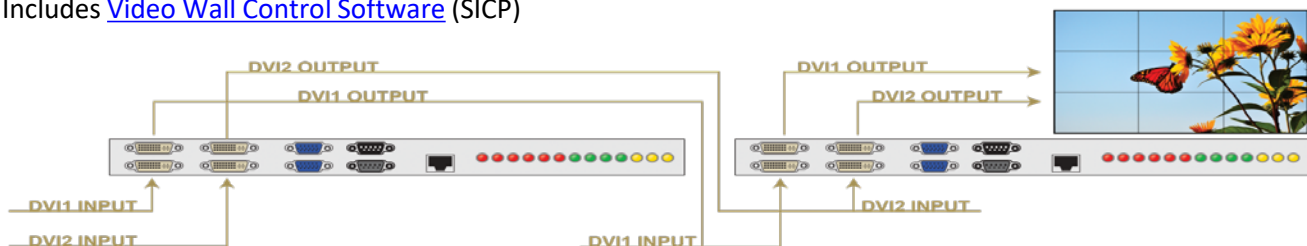


ACR Hub



- ❖ LED status indicators
- ❖ ON/OFF Scheduler
- ❖ IR remote extender

- ✓ [ACR \(Auto-Condition Reporting\)](#) Monitoring System
- ✓ Quick Preset Function
- ✓ Built-in Video Wall Processor (up to 10x10 natural mode)
- ✓ Includes [Video Wall Control Software](#) (SICP)
- ✓ Includes necessary cables for daisy-chain of both control and video signals
- ✓ 24/7/365-Rated



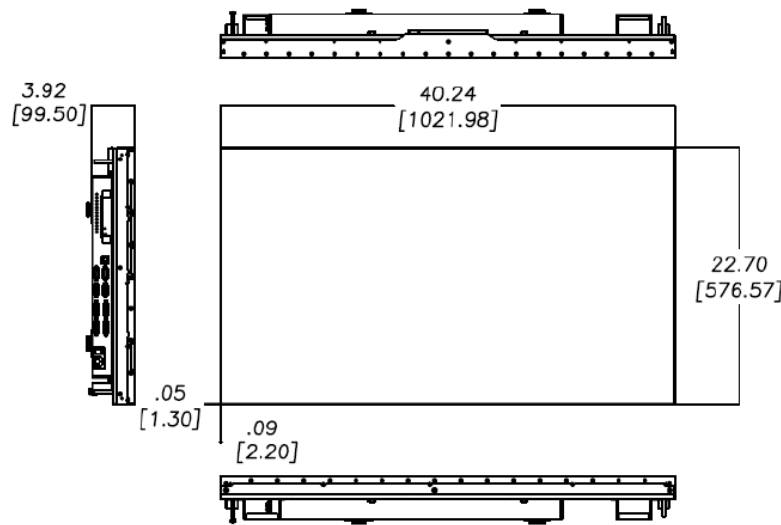
* GPO Display may change specifications and designs without notice.

Mechanical Drawing

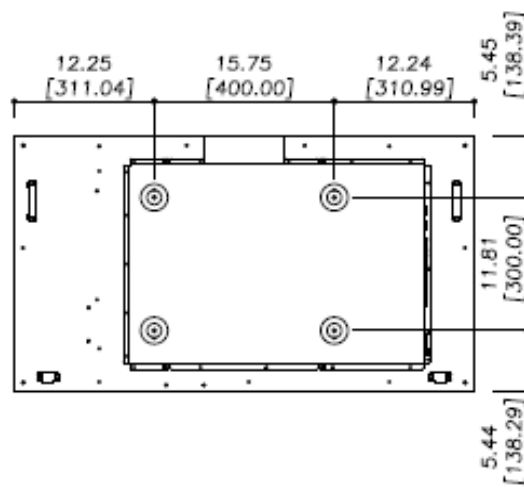
EN46MSU

Our self-monitoring model video wall is designed for the most demanding, mission-critical applications. These displays include our [Auto-Condition Reporting \(ACR\)](#) monitoring system which provides immediate video wall diagnostics; allowing you to maintain maximum up time for your video wall and improve service planning. With the most comprehensive diagnostic tool for displays in the industry, you can rest assured knowing that your video wall will perform to its potential over the years.

Front Drawing



Rear Drawing



Note: GPO Display may change specifications and designs without notice

Accessories with product: RS-232 cable, HDMI cable, AC Power Cord, Remote Control, Batteries for remote control, User manual & Software on USB Flash Drive