



4K...in a Major Way

The [Easy-4K series](#) of video wall displays from GPO Display allows for extraordinary video walls that are ready for the future of video content.

Daisy-chaining of 4K/UHD signals

Easy-4K models support daisy-chaining of 4K signals via HDMI 2.0 through up to ten displays. This makes the expansion of 4K video across most video walls simple, easy, and low-cost.

HD-SDI System (Optional)

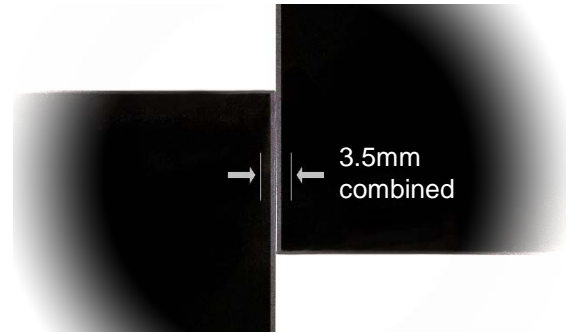
HD-SDI inputs are optional on all Easy-4K models, making these displays ideal for broadcast environments, security applications, and more.



Features

Ultra Narrow Bezel

Ultra Narrow Bezel (ENB) displays feature a tiled gap of 3.5mm. This Ultra Narrow tiled gap makes for truly stunning arrays at any size.



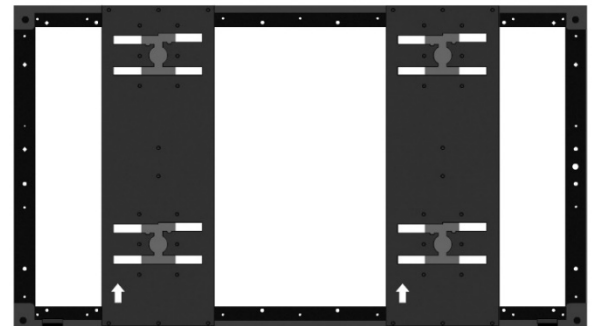
Easy-4k daisy-chaining

Expanding 4K/Ultra-HD content across large video wall arrays is made simple via support of HDMI 2.0 daisy-chaining. 4K content can be shown on video wall arrays of up to ten displays using a single HDMI cable without signal amplification, making stunning 4K video walls possible without the added cost of video wall processors or multi-output computers. Full-HD (1920x1080) content can be carried through up to 25 displays without signal amplification. With distribution amplifiers in place, arrays of up to 256 displays are possible.



Auto-Aligning H- Mount

GPO Display's new & improved H-Mount video wall mounting system ensures quick, easy installation with virtually automatic alignment. The H-Mount frame matches the outline dimensions of the display, making for less measuring & re-measuring during the installation process. The unique channel system allows for access to individual displays without the dismounting of neighboring displays. H-Mounts even come with side covers/trim at no additional cost. Most importantly, H-Mounts prevent shifts in alignment over time- an issue commonly associated with front-accessible mounting solutions. For video wall arrays with three or fewer rows of displays, the H-Mount is the ideal solution.



EK55MLU

Panel Attributes

| | |
|--------------------------|--|
| Screen Size (Diag.) | 55" |
| Panel Technology | Commercial-grade IPS / Direct-LED backlight |
| Resolution | 1920 x 1080 |
| Pixel Pitch (mm) | 0.630 (H) x 0.630 (V) |
| Surface Treatment | Hard Coating (3H), Anti-glare treatment of front polarizer |
| Brightness (Typ.) | 500nit |
| Contrast Ratio (Typ.) | 1,400:1 / 500,000:1 (DCR) |
| Displayable Colors | 10bit(D), 1.07 Billion colors |
| Viewing Angle | 178° (min) / 178° (min) |
| Response Time (Typ. GTG) | 12ms |
| Aspect Ratio | 16:9 |
| Tiled Bezel Width | 3.5 mm (combined) |
| Refresh rate | 60Hz |

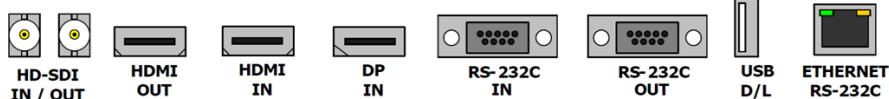
Dimensions, Power & Other

| | | |
|--------------------------------------|-------|-----------------------------------|
| Dimension (W x H x D) , Weight(typ.) | Net | 47.77" x 26.94" x 3.31" , 64lbs |
| | Gross | 53.5" x 33" x 12" , 80lbs |
| VESA Pattern (mm) | | 600 X 400 |
| Electrical Ratings | | AC 100 - 240V (50/60Hz) |
| Power Consumption (Typ.) | | 160W / 1.9A |
| BTU rating (Typ.) | | 546 |
| Mullion Compensation | | SICP software or Remote control |
| Operating Temperature | | 32°F - 104°F |
| Operating Humidity Range | | 10~90% |
| Possible Display Type | | Landscape and Portrait-Compatible |
| Industrial Reliability | | 60,000+ Hours |
| Warranty | | Three Years – Cover 3 / Quick 3 |

Connectivity

| | |
|--|-----------------------|
| DisplayPort | 1 x Input |
| HDMI (up to 3840 x 2160) | 1 x Input, 1 x output |
| HD-SDI (optional) | 1 x Input, 1 x output |
| RS-232 | 1 x Input, 1 x output |
| Ethernet (RJ45 for control & monitoring) | 1 x Input |
| USB (for service only) | 1 x Input |

- 24/7/365-Rated
- Built-in Video Wall Processor (up to 11x11 Natural Mode)
- Color temperature preset (3200k/5600k/6500k/7800k/9300k)
- Includes [Video Wall Control Software](#)
- Includes necessary cables for daisy-chain of both control and video signals



Project-based Factory Color Calibration

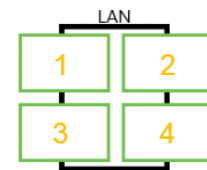
All Easy-4K displays are assembled-to-order on a project basis. This allows for more accurate color calibration prior to shipment.



By pre-calibrating and ensuring a match between displays associated with a single deployment, GPO Display reduces the need for post-installation calibration and adjustments.

HD-SDI In/Out(optional)

Easy-4K displays bring users expanded connectivity in the form of a daisy-chainable HD-SDI input. Broadcast engineers have long known the benefits of HD-SDI over HDMI, such as significantly longer run distance (~100m), instantaneous switching, locking connectors, and signal reliability. These displays' HD-SDI daisy-chain capability also eliminates the need for conversion, which can increase cost and serve as an additional point of failure.

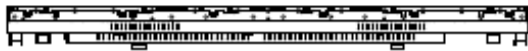
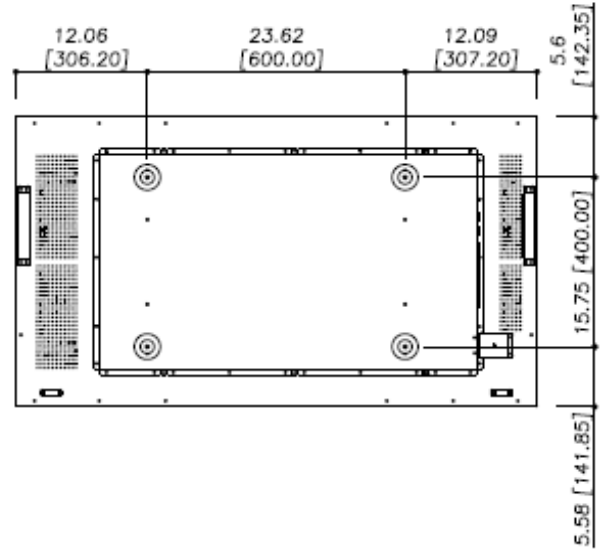
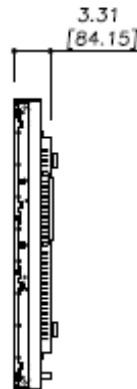
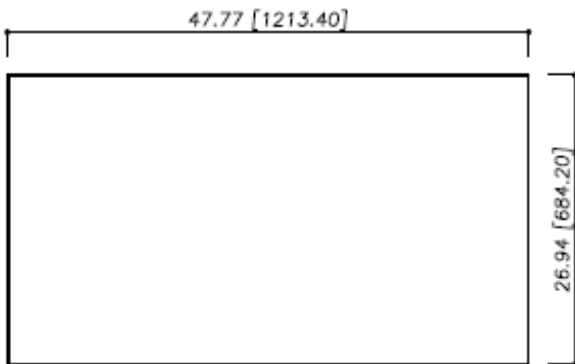
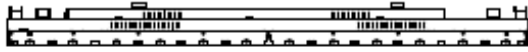


Control via LAN

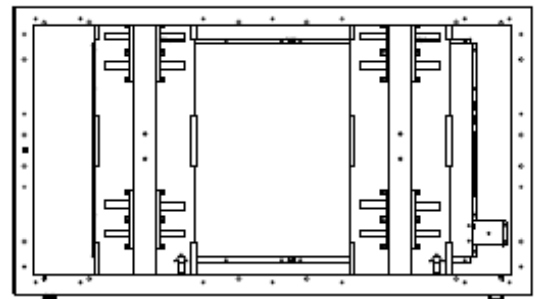
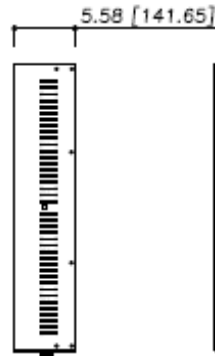
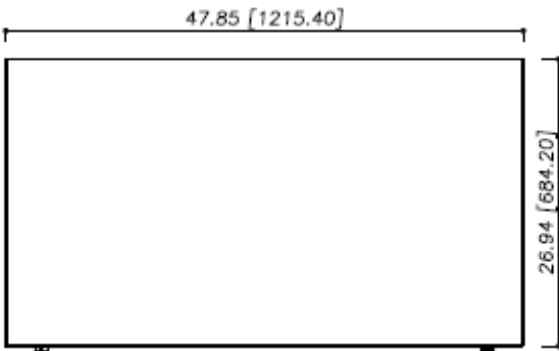
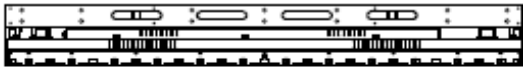
An Ethernet input for control makes Easy-4K displays ready for the newest generation of control devices. This eliminates the need for conversion and RS-232 extension.

Mechanical Drawing

Set Drawing



Set + H-Mount Drawing



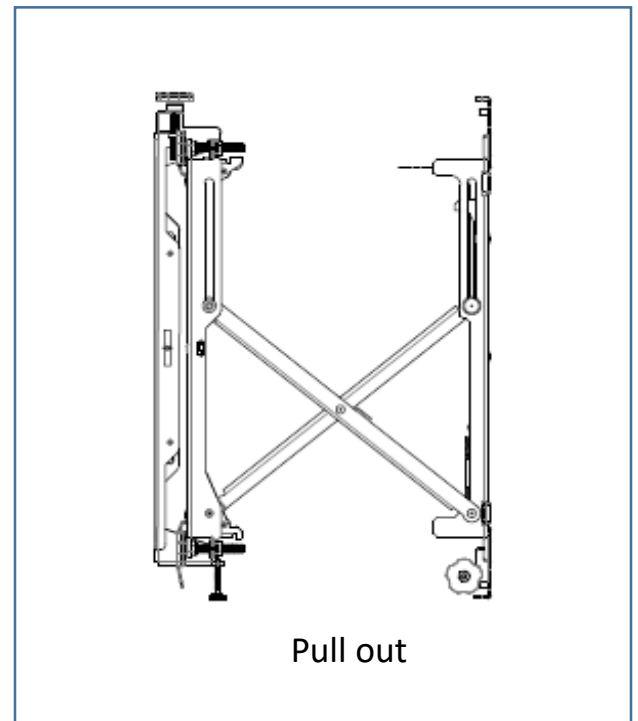
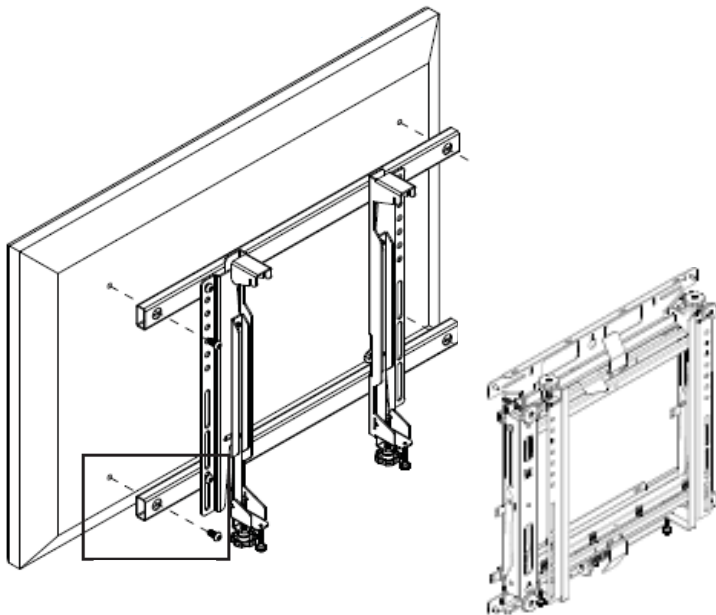
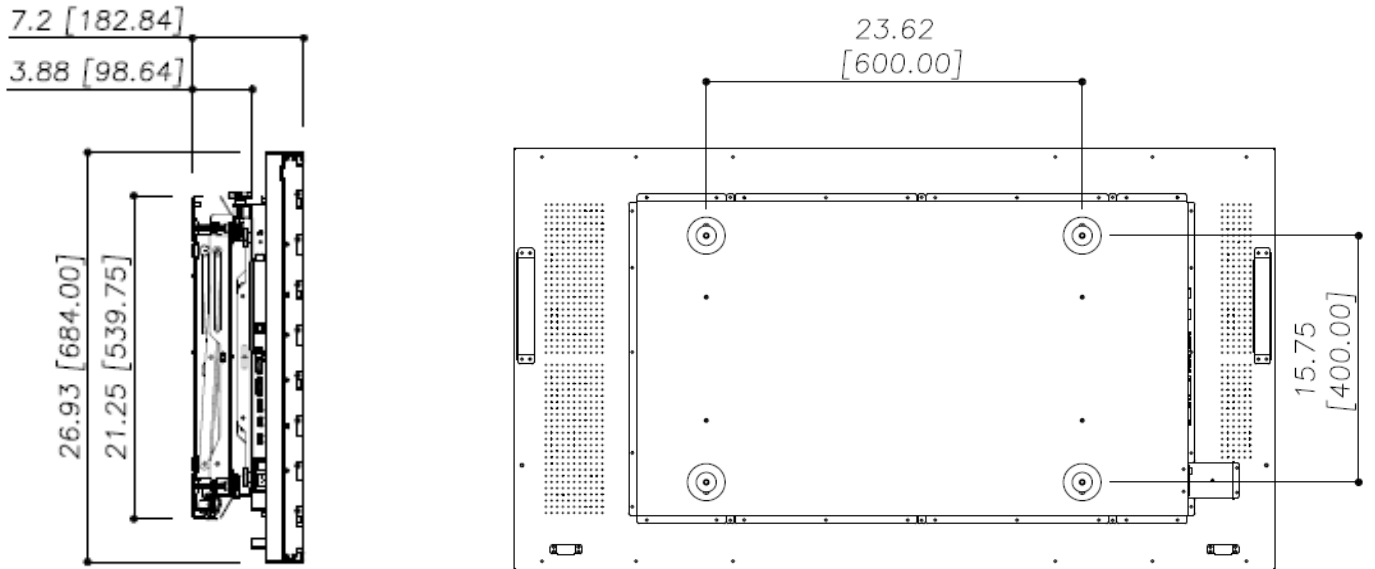
Note: GPO Display may change specifications and designs without notice

Accessories with product: RS-232 cable, HDMI cable, AC Power Cord, Remote Control, Batteries for remote control, User manual & Software on USB Flash Drive



Mechanical Drawing

Set + Full Service Mount Drawing



Note: GPO Display may change specifications and designs without notice

Accessories with product: RS-232 cable, HDMI cable, AC Power Cord, Remote Control, Batteries for remote control, User manual & Software on USB Flash Drive