



4K...in a Major Way

The [Easy-4K series](#) of video wall displays from GPO Display allows for extraordinary video walls that are ready for the future of video content.

Daisy-chaining of 4K/UHD signals

Easy-4K models support daisy-chaining of 4K signals via HDMI 2.0 through up to ten displays. This makes the expansion of 4K video across most video walls simple, easy, and low-cost.

HD-SDI System (Optional)

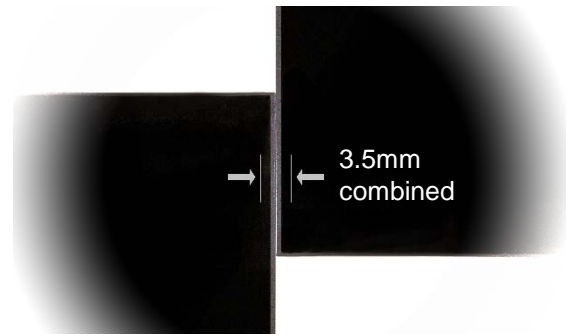
HD-SDI inputs are optional on all Easy-4K models, making these displays ideal for broadcast environments, security applications, and more.



Features

Ultra Narrow Bezel

Ultra Narrow Bezel (ENB) displays feature a tiled gap of 3.5mm. This Ultra Narrow tiled gap makes for truly stunning arrays at any size.



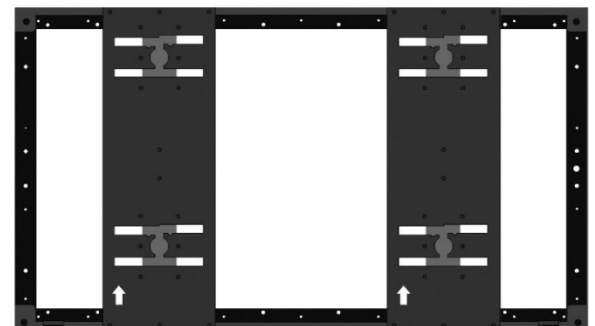
Easy-4k daisy-chaining

Expanding 4K/Ultra-HD content across large video wall arrays is made simple via support of HDMI 2.0 daisy-chaining. 4K content can be shown on video wall arrays of up to ten displays using a single HDMI cable without signal amplification, making stunning 4K video walls possible without the added cost of video wall processors or multi-output computers. Full-HD (1920x1080) content can be carried through up to 25 displays without signal amplification. With distribution amplifiers in place, arrays of up to 256 displays are possible.



Auto-Aligning H- Mount

GPO Display's new & improved H-Mount video wall mounting system ensures quick, easy installation with virtually automatic alignment. The H-Mount frame matches the outline dimensions of the display, making for less measuring & re-measuring during the installation process. The unique channel system allows for access to individual displays without the dismounting of neighboring displays. H-Mounts even come with side covers/trim at no additional cost. Most importantly, H-Mounts prevent shifts in alignment over time- an issue commonly associated with front-accessible mounting solutions. For video wall arrays with three or fewer rows of displays, the H-Mount is the ideal solution.



EK49HLU

Panel Attributes

Screen Size (Diag.)	49"
Panel Technology	Commercial-grade IPS / Direct-LED backlight
Resolution	1920 x 1080
Pixel Pitch (mm)	0.55926 (H) x 0.55926 (V)
Surface Treatment	Hard Coating (3H), Anti-glare treatment of front polarizer
Brightness (Typ.)	700nit
Contrast Ratio (Typ.)	1,300:1 / 500,000:1 (DCR)
Displayable Colors	10bit(D), 1.07 Billion colors
Viewing Angle	178° (min) / 178° (min)
Response Time (Typ. GTG)	12ms
Aspect Ratio	16:9
Tiled Bezel Width	3.5 mm (combined)
Refresh rate	60Hz

Dimensions, Power & Other

Dimension (W x H x D) , Weight(typ.)	Net	42.42" x 23.93" x 3.25" , 51lbs
	Gross	46" x 29" x 8" , 63lbs
VESA Pattern (mm)		600 X 400
Electrical Ratings		AC 100 - 240V (50/60Hz)
Power Consumption (Typ.)		150W / 1.8A
BTU rating (Typ.)		512
Mullion Compensation		SICP software or Remote control
Operating Temperature		32°F - 104°F
Operating Humidity Range		10~80%
Possible Display Type		Landscape and Portrait-Compatible
Industrial Reliability		60,000+ Hours
Warranty		Three Years – Cover 3 / Quick 3

Connectivity

DisplayPort	1 x Input
HDMI (up to 3840 x 2160)	1 x Input, 1 x output
HD-SDI (optional)	1 x Input, 1 x output
RS-232	1 x Input, 1 x output
Ethernet (RJ45 for control & monitoring)	1 x Input
USB (for service only)	1 x Input

Project-based Factory Color Calibration

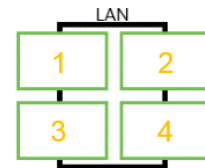
All Easy-4K displays are assembled-to-order on a project basis. This allows for more accurate color calibration prior to shipment.



By pre-calibrating and ensuring a match between displays associated with a single deployment, GPO Display reduces the need for post-installation calibration and adjustments.

HD-SDI In/Out(optional)

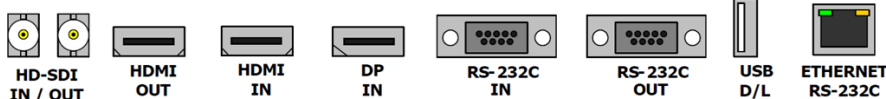
Easy-4K displays bring users expanded connectivity in the form of a daisy-chainable HD-SDI input. Broadcast engineers have long known the benefits of HD-SDI over HDMI, such as significantly longer run distance (~100m), instantaneous switching, locking connectors, and signal reliability. These displays' HD-SDI daisy-chain capability also eliminates the need for conversion, which can increase cost and serve as an additional point of failure.



Control via LAN

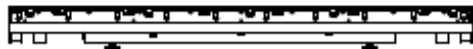
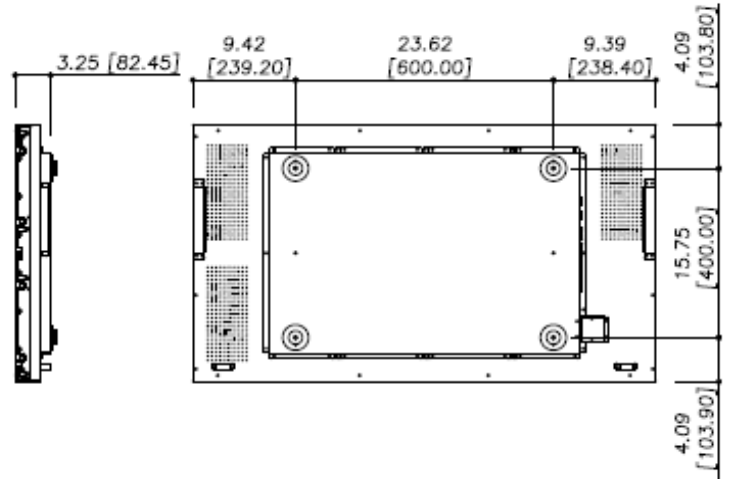
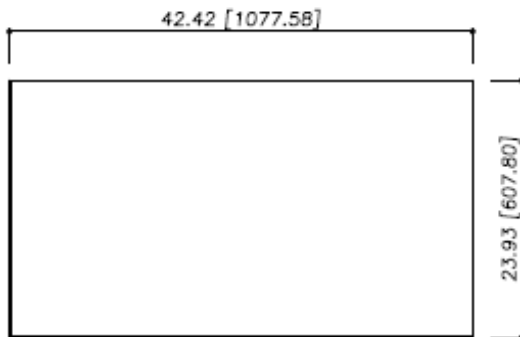
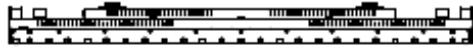
An Ethernet input for control makes Easy-4K displays ready for the newest generation of control devices. This eliminates the need for conversion and RS-232 extension.

- 24/7/365-Rated
- Built-in Video Wall Processor (up to 11x11 Natural Mode)
- Color temperature preset (3200k/5600k/6500k/7800k/9300k)
- Includes [Video Wall Control Software](#)
- Includes necessary cables for daisy-chain of both control and video signals

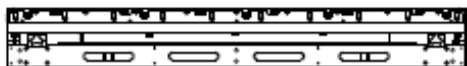
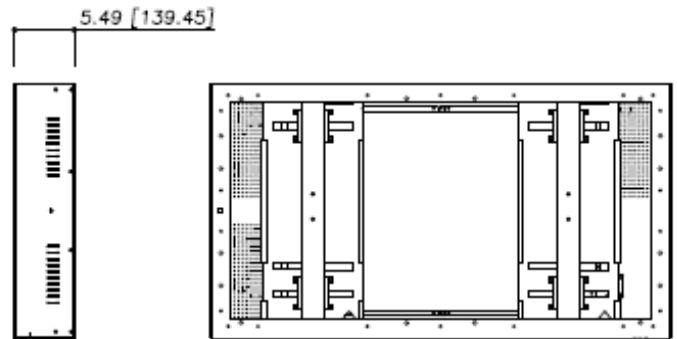
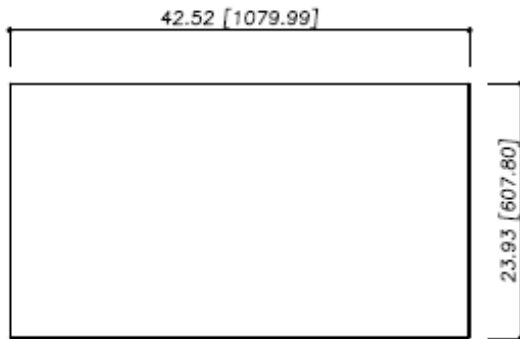


Mechanical Drawing

Set Drawing



Set + H-Mount Drawing



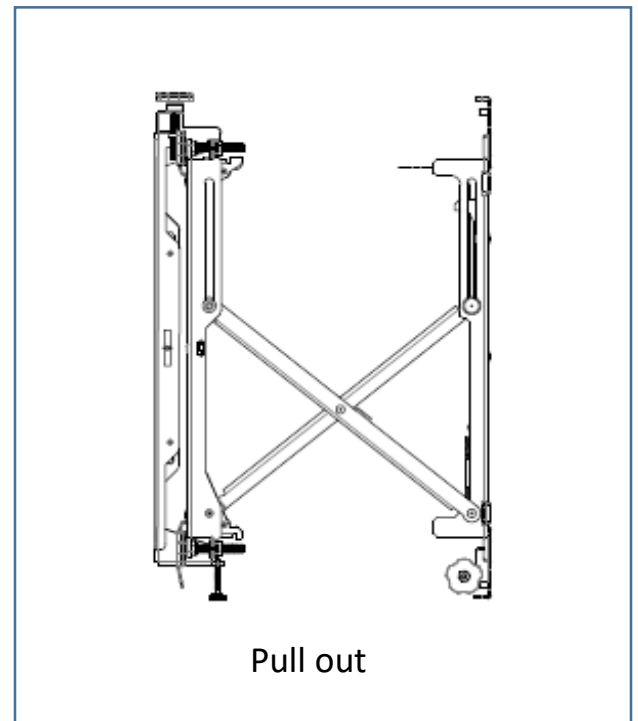
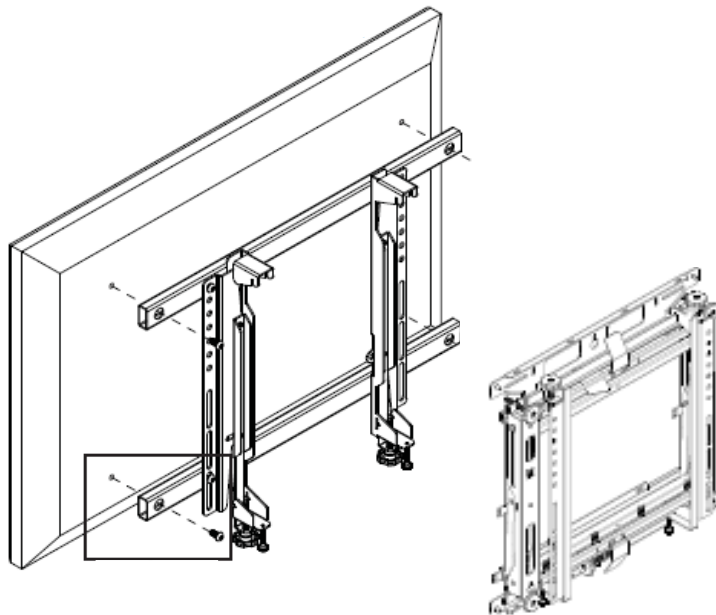
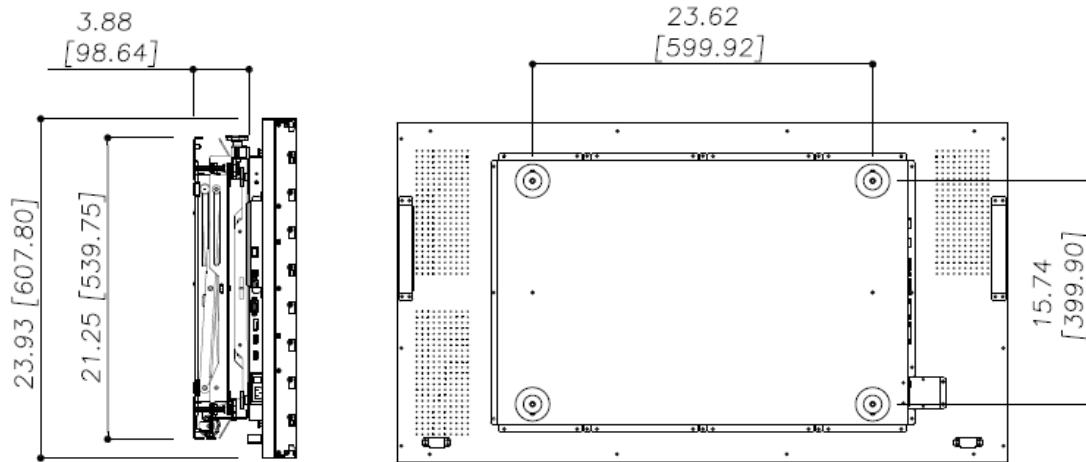
Note: GPO Display may change specifications and designs without notice

Accessories with product: RS-232 cable, HDMI cable, AC Power Cord, Remote Control, Batteries for remote control, User manual & Software on USB Flash Drive



Mechanical Drawing

Set + Full Service Mount Drawing



Note: GPO Display may change specifications and designs without notice

Accessories with product: RS-232 cable, HDMI cable, AC Power Cord, Remote Control, Batteries for remote control, User manual & Software on USB Flash Drive