

Video Wall Display

Serviceable Video Wall (ED-Series)



ED55HLU

Panel Attributes

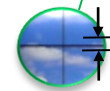
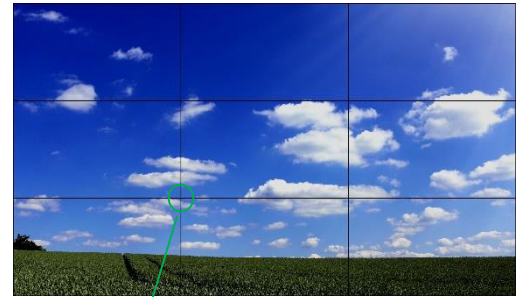
Screen Size (Diag.)	55"
Panel Technology	Commercial-grade IPS / Direct-LED backlight
Resolution	1920 x 1080
Pixel Pitch (mm)	0.630 x 0.630 (H x V)
Surface Treatment	Hard coating (3H), Anti-glare treatment of front polarizer
Brightness (Typ.)	700nit
Contrast Ratio (Typ.)	1,200:1 / 500,000:1 (DCR)
Displayable Colors	10bit (D), 1.07 Billion colors
Viewing Angle	178° (min) / 178° (min)
Response Time (Typ. GTG)	12ms
Aspect Ratio	16:9
Tiled Bezel Width	3.5 mm (combined)
Refresh rate	60Hz

Dimensions, Power & Other

Dimension (W x H)	47.77" x 26.94"
VESA Pattern (mm)	550 x 330
Electrical Ratings	AC 100 - 240V (50/60Hz)
Power Consumption (Typ.)	230W / 2.8A
Mullion Compensation	SICP software or Remote control
Operating Temperature	32°F - 104°F
Operating Humidity Range	20~80%
Possible Display Type	Landscape and Portrait-Compatible
Industrial Reliability	60,000+ Hours
Warranty	Three Years - Cover 3 / Quick 3

Connectivity

DVI (HDCP-compliant)	2 x Input, 2 x output
VGA	1 x Input, 1 x output
RS232C	1 x Input, 1 x output
LAN	1 x Input (ACR Only)
ACR (Auto Condition Report) Indicators	Yes
ACR Network & Monitoring Program	Included
ACR Hub	Included



3.5mm combined bezel width
: 2.3mm(U/L), 1.2mm(R/B)

Replaceable Electronics Kit (REK)



Serviceable Video Wall displays boast the same functionality as our Self-Monitoring displays, with one key addition – the Replaceable Electronics Kit. The REK contains the controller & power boards and grants easy access to both without having to dismount the display.

Auto-Condition Reporting (ACR)

ACR provides real-time readouts showing power supply & LED backlight operation, internal temperature and input activity. This greatly reduces diagnostic turn-around time, improves service planning & maintenance, and ensures minimal downtime for your video wall.



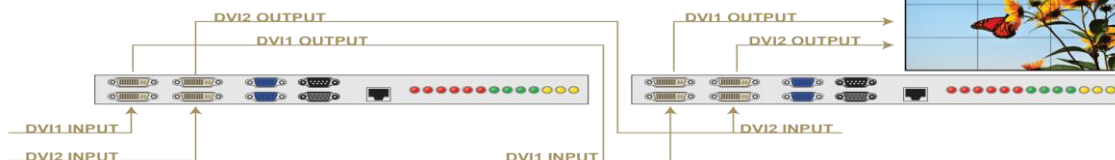
ACR Hub



- ❖ LED display status indicators
- ❖ ON/OFF Scheduler
- ❖ IR remote extender

- ✓ ACR (Auto-Condition Report) Monitoring System
- ✓ Replaceable Electronics Kit (REK)
- ✓ Quick Preset Function
- ✓ Auto-Cooling System
- ✓ Built-in Video Wall Processor (up to 10x10 natural mode)

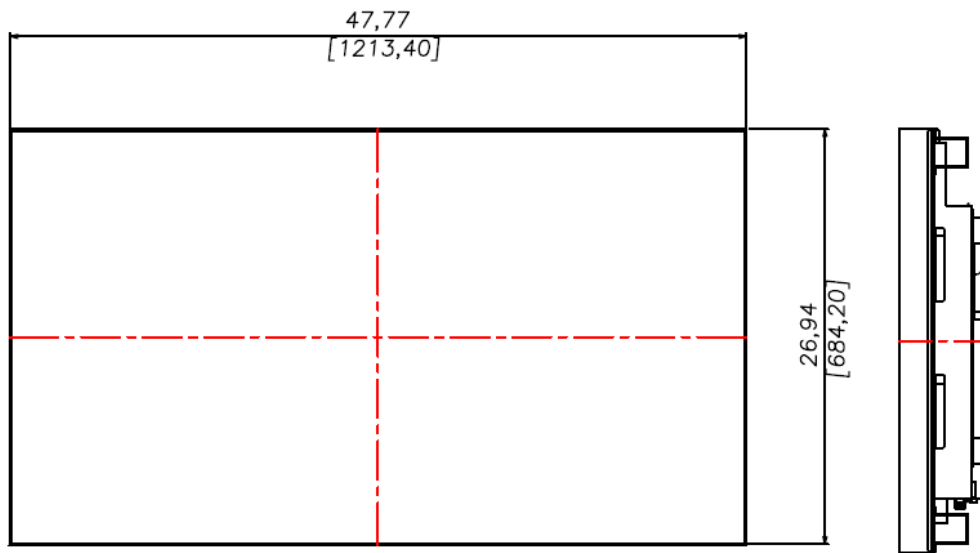
- ✓ Includes Video Wall Control Software (SICP)
- ✓ Includes necessary cables for daisy-chain of both control and video signals
- ✓ 24/7/365-Rated



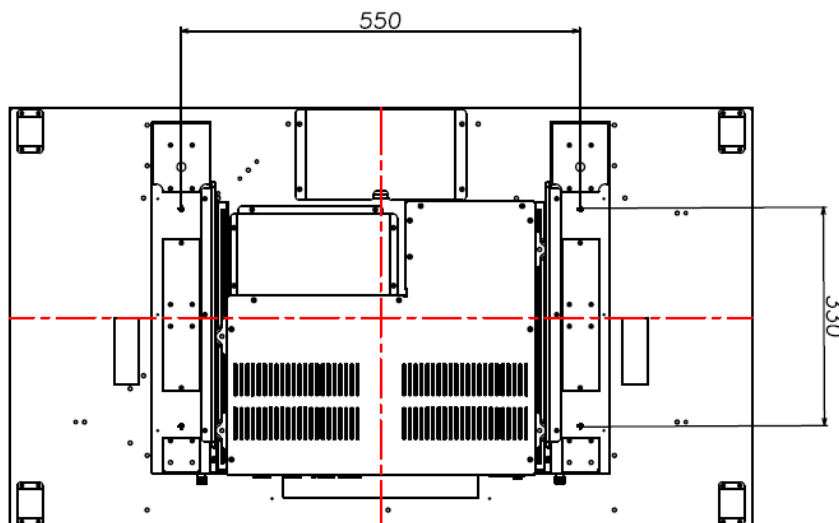
* GPO Display may change specifications and designs without notice.

Our serviceable video wall solution is specifically designed for the most demanding of video wall applications. Featuring our patented [Replaceable Electronics Kit \(REK\)](#). The REK provides the ability to quickly replace power and controller boards without the risky, labor-intensive process of dismounting a display from the video wall. Also featured is our patented [Auto-Condition Reporting \(ACR\)](#), a diagnostic troubleshooting tool for understanding why a failure may be occurring. Furthermore, the REK provides this board easy accessibility without having to run proprietary power cabling over long distances.

Front View



Rear View



Product specification and design are subject to change without notice.

Copyright©2016 GPO Display All rights reserved. This document may not be copied in any form without written permission from GPO Display Rev.080116-01