

# Video Wall Display

## Serviceable Video Wall (ED-Series)



### ED46HSU

#### Panel Attributes

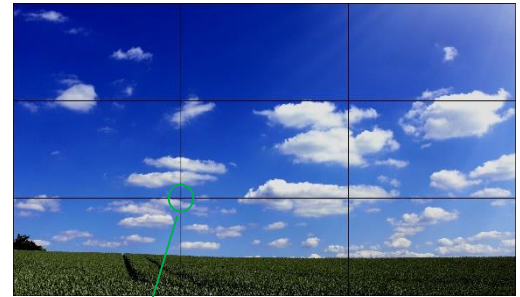
Screen Size (Diag.)	46"
Panel Technology	Commercial-grade S-PVA / Direct-LED backlight
Resolution	1920 x 1080
Pixel Pitch (mm)	0.53025 (H) x 0.53025 (V)
Surface Treatment	Hard coating (3H), Haze 44% (Typ.)
Brightness (Typ.)	700nit
Contrast Ratio (Typ.)	3,500:1 / 10,000:1 (DCR)
Displayable Colors	16.7M (8-bit)
Viewing Angle	178° (min) / 178° (min)
Response Time (Typ. GTG)	8ms
Aspect Ratio	16:9
Tiled Bezel Width	3.5 mm (combined)
Refresh rate	60Hz

#### Dimensions, Power & Other

Dimension (W x H x D)	40.24" x 22.7" x 4.81"
VESA Pattern (mm)	550 x 330
Electrical Ratings	AC 100 - 240V (50/60Hz)
Power Consumption (Max.)	190W / 2.3A
Mullion Compensation	via SICP software or Remote control
Operating Temperature	32°F - 104°F
Operating Humidity Range	20~80%
Possible Display Type	Landscape and Portrait-Compatible
Industrial Reliability	50,000+ Hours
Warranty	Three Years - Cover 3 / Quick 3

#### Connectivity

DVI (HDCP-compliant)	2 x Input, 2 x output
VGA	1 x Input, 1 x output
RS232C	1 x Input, 1 x output
LAN	1 x Input (ACR only)
ACR (Auto Condition Report) Indicators	Yes
ACR Network & Monitoring Program	Included
ACR Hub	Included



**3.5mm** combined bezel width  
: 2.3mm(U/L), 1.2mm(R/B)

#### Replaceable Electronics Kit (REK)



Serviceable Video Wall displays boast the same functionality as our Self-Monitoring displays, with one key addition – the Replaceable Electronics Kit. The REK contains the controller & power boards and grants easy access to both without having to dismount the display.

#### Auto-Condition Reporting (ACR)

ACR provides real-time readouts showing power supply & LED backlight operation, internal temperature and input activity. This greatly reduces diagnostic turn-around time, improves service planning & maintenance, and ensures minimal downtime for your video wall.



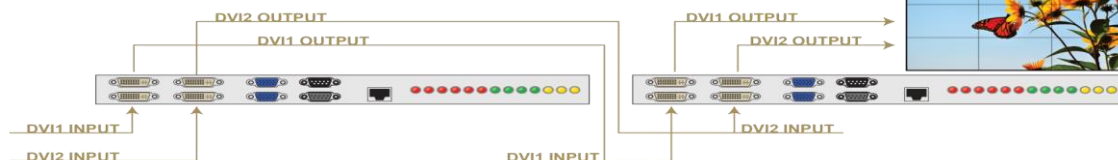
#### ACR Hub



- ❖ LED display status indicators
- ❖ ON/OFF Scheduler
- ❖ IR remote extender

- ✓ ACR (Auto-Condition Report) Monitoring System
- ✓ Replaceable Electronics Kit (REK)
- ✓ Quick Preset Function
- ✓ Auto-Cooling System
- ✓ Built-in Video Wall Processor (up to 10x10 natural mode)

- ✓ Includes Video Wall Control Software (SICP)
- ✓ Includes necessary cables for daisy-chain of both control and video signals
- ✓ 24/7/365-Rated

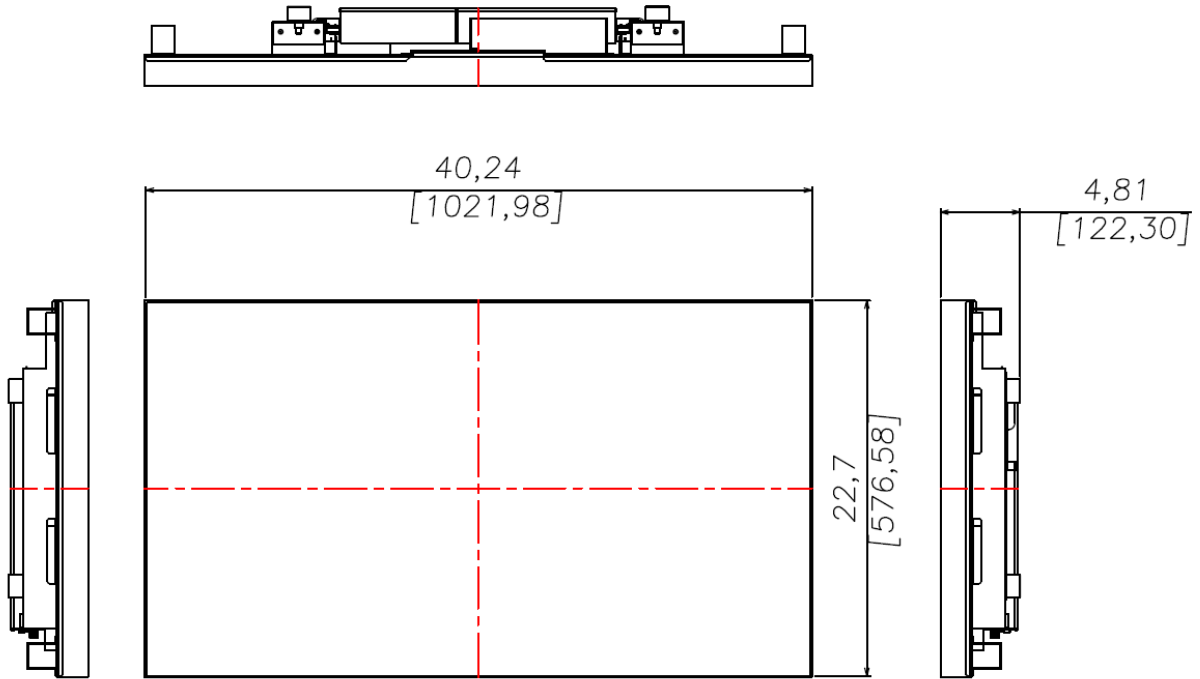


\* GPO Display may change specifications and designs without notice.

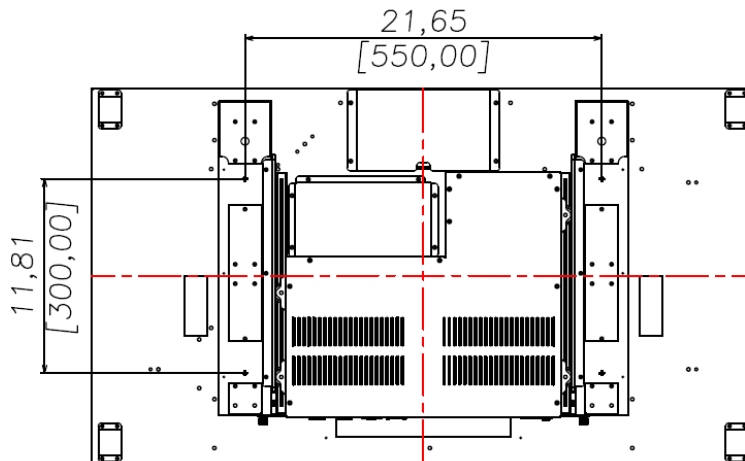
# Mechanical Drawing

Our serviceable video wall solution is specifically designed for the most demanding of video wall applications. Featuring our patented [Replaceable Electronics Kit \(REK\)](#). The REK provides the ability to quickly replace power and controller boards without the risky, labor-intensive process of dismounting a display from the video wall. Also featured is our patented [Auto-Condition Reporting \(ACR\)](#), a diagnostic troubleshooting tool for understanding why a failure may be occurring. Furthermore, the REK provides this board easy accessibility without having to run proprietary power cabling over long distances.

## Front View



## Rear View



Product specification and design are subject to change without notice.

Copyright©2016 GPO Display All rights reserved. This document may not be copied in any form without written permission from GPO Display Rev.080116-01