

DU43KC



43" InteracTable

Multiple Designs to Fit Any Space

GPO Display InteracTable series offers multi-touch functionality with a wide variety of housing options. All InteracTable models feature capacitive touch, commercial-grade LCD panels and options for embedded PC and custom logos/colors.



Housing Options

DU43KC-AD (Auto-Adjustable)

0-45 degrees

The Auto-Adjustable housing design features a motorized tilt mechanism which makes fine-tuned touch screen angle adjustment possible with the push of a button. This motorized angle adjustment ensures a comfortable interactive experience, whether you are collaborating, presenting, or reviewing information.



DU43KC-LB (Lobby)



Standing 21" in height, the Lobby table design provides ideal touch access for users seated on couches or waiting-room tables. The lower height and traditional four-leg design of this InteracTable gives it a "coffee table" feel—the ideal addition to any lobby or entranceway.

DU43KC-FT (Flow-Thru)

The Flo-Thru table design offers striking housing along with a hidden access panel for running cabling and hiding small form-factor PCs or other devices.



Housing Options

DU43KC-TR (Table-Ready Display)

The Table-Ready display is ideal for integration with existing table housing or cutouts. While GPO Display offers a wide range of turnkey tables, the Table-Ready display can be placed in much larger conference tables, wooden tables, and more.



DU43KC-SP (Staple)



The Staple design combines the unique, eye-catching elements of the “Flow-Thru” with spacious cabinetry for PCs and other devices. These can be easily accessed by a door that opens to the bottom/interior of the table housing.

DU43KC-PD (Pedestal)

Pedestal InteracTables are perfect for housing devices such as desktop PCs within the cabinetry below the display. This makes for an attractive, self-contained touch table where cabling, computing and other components are both obscured from view and locked away to prevent access.



Specifications

Panel Attributes

| | |
|-----------------------|--|
| Panel Technology | Commercial-grade IPS LED-LCD |
| Surface Treatment | Hard coating (2H), Anti-glare treatment of the front polarizer (Haze 28% typ.) |
| Screen Size (diag.) | 42.51" |
| Native Resolution | 3840 x 2160 |
| Active Area (mm) | 941.18 x 529.42 |
| Brightness (typ.) | 450nit |
| Contrast Ratio (typ.) | 1,000:1 |
| Displayable Colors | 10bit(D), 1.07 Billion colors |
| Viewing Angle | 178°/ 178° |
| Aspect Ratio | 16:9 |
| Refresh Rate | 60Hz |

Dimensions, Power & Other

| | |
|---------------------------|--------------------------|
| Dimensions (W x H x D) | Built to Spec. |
| Electrical Ratings | AC 100 - 240V (50/60Hz) |
| Power Consumption (typ.) | 90W |
| Standby Power Consumption | >0.5W |
| Operating Temperature | 32°F - 122°F |
| Operating Humidity Range | 20~90% |
| Industrial Reliability | 50,000+ Hours |
| Usage Ratings (hrs/days) | 24/7** |
| Warranty | One Year (parts & labor) |
| Built-in speaker | 10W x 2 |

****Consult with GPO Display regarding best practices for preventing image retention and for prolonging display lifetime.**

Specifications

Connectivity

| | |
|-------------------|-----------------------|
| HDMI | 3 x Input |
| DisplayPort | 2 x Input, 1 x Output |
| RS-232 | 1 x Input, 1 x Output |
| Power Switch | 1 |
| External USB Port | 2 |
| External AC Inlet | 1 |
| External LAN Port | 1 |

Touch Specification

| | |
|---------------------------|--|
| Technology | Projected Capacitive Touch |
| Glass | 3mm Tempered Glass |
| Simultaneous Touch Points | 10 pt |
| Touch Accuracy | 2mm |
| Response Time | 15-30ms |
| Interface | USB 2.0, HID-Compliant, Plug & Play |
| Supported OS | Windows / Android / Mac* / Linux (1pt) |
| Detection Method | Finger or specialized sylvus |
| Min. Touch Object Size | 9mm |

*Drivers may be required for Mac OS. Contact GPO Display for more information.

Includes:

- PCAP 10pt touch
- Water-resistant surface
- Tempered protective glass

Options:

- Custom height or color
- Variation in screen angle
- Touchtech Lima software
- PC

Optional Computing

TAA-Compliant 4K Mini PC - 1.3 Liter Slim PC, LGA 1200; H470 Chipset; Dual-LAN, Max 64GB DDR4 SODIMM; Triple Display 4K Support

| | |
|-----------------------|--|
| Operating System | Windows 11 Pro |
| CPU | i5-12400 6-Core Processor |
| RAM | 8gb (4gb*2) Total |
| Storage | 128gb SATA III SSD |
| Power | 90W Power Adapter |
| Ethernet | Intel I210AT*2 Dual Lan 10Mb/s,100Mb/s,1Gb/s Operation |
| Operating Temperature | 0°C ~ 50°C |
| Audio | Realtek ALC662 High Definition Audio |
| WiFi Connectivity | Included* |
| Bluetooth | Included* |
| Video Output | HDMI 2.0 x 1, DisplayPort x 2 Triple video outputs |
| Front Panel | (2) USB 3.2 Gen1 ports (Include Type C x1) (2) USB 3.2 Gen2 ports (1) Microphone-In (1) Earphone-Out (1) Power-On button (1) Power LED (1) HDD LED (1) SD Card reader |
| Back Panel | (2) RJ45 Gigabit LAN port w/LED (1) HDMI port (2) Display port (2) USB 3.2 Gen1 ports (2) USB 3.2 Gen2 ports (1) RS232 (1) RS232/RS422/RS485 (1) External 4pin header (1) DC-in (2) Wireless Antenna fixture (1) Kensington lock |

**Can be removed on request*

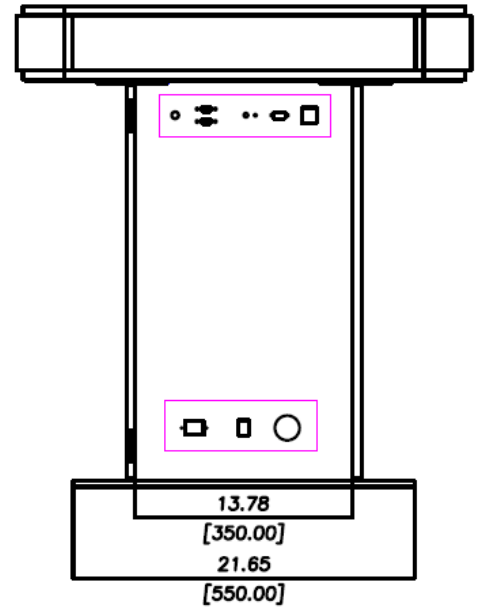
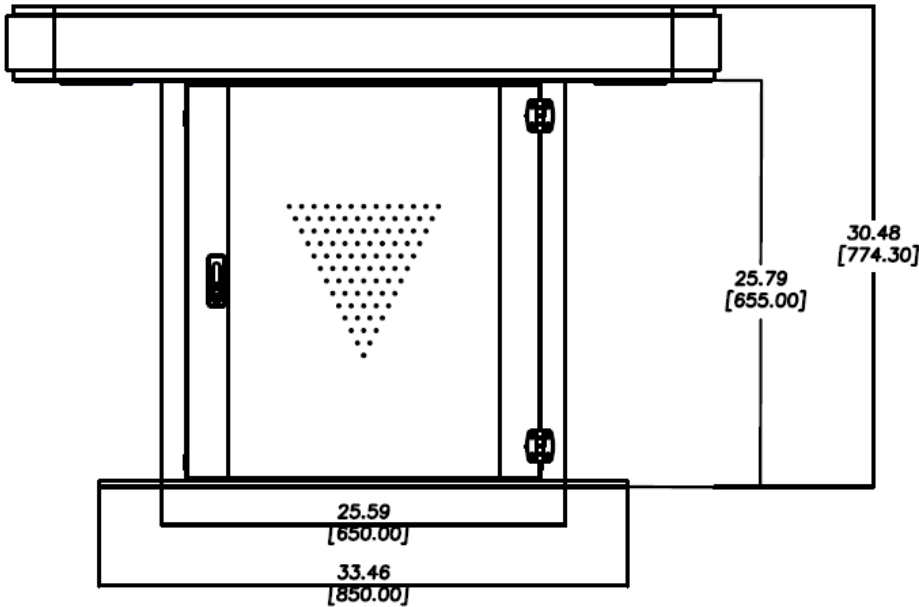
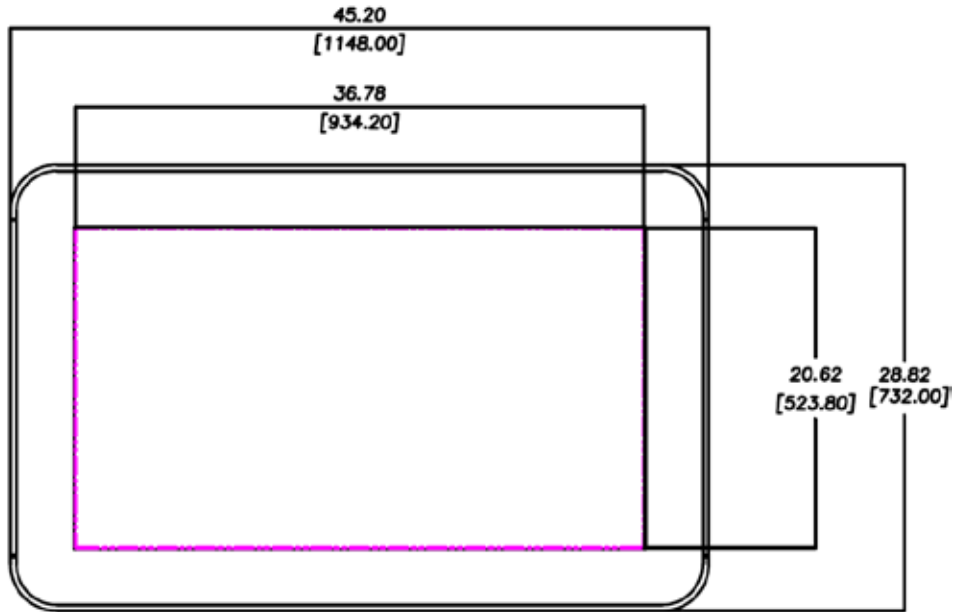


Product specification and design are subject to change without notice.

Copyright 2024, GPO Display All rights reserved. This document may not be copied in any form without written permission from GPO Display

Drawings

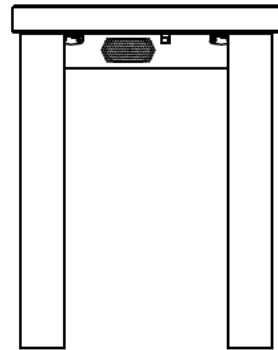
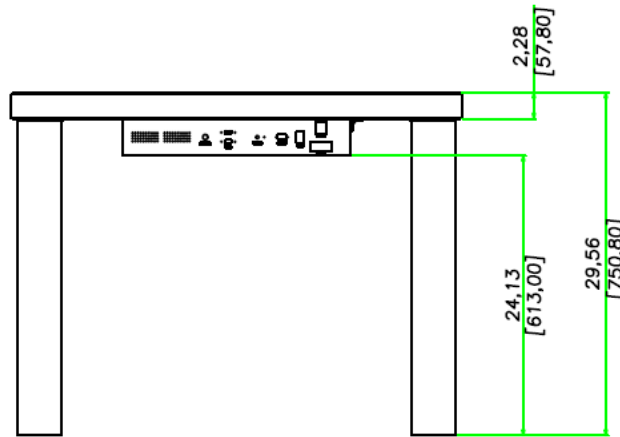
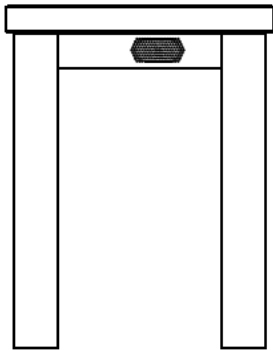
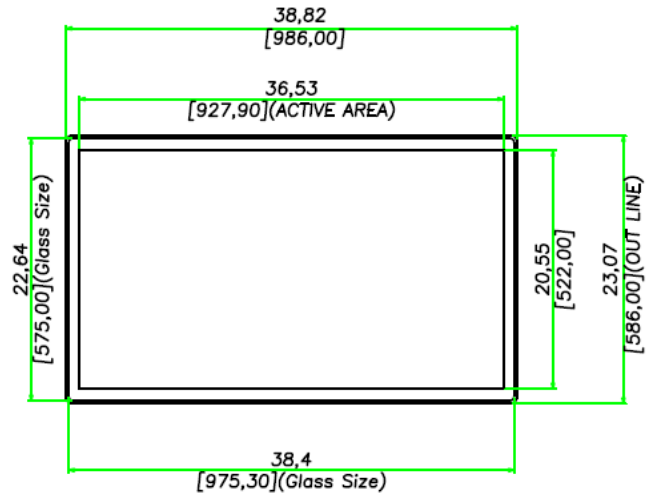
Pedestal Design



Product specification and design are subject to change without notice.
Copyright 2024, GPO Display All rights reserved. This document may not be copied in any form without written permission from GPO Display

Drawings

Lobby Design

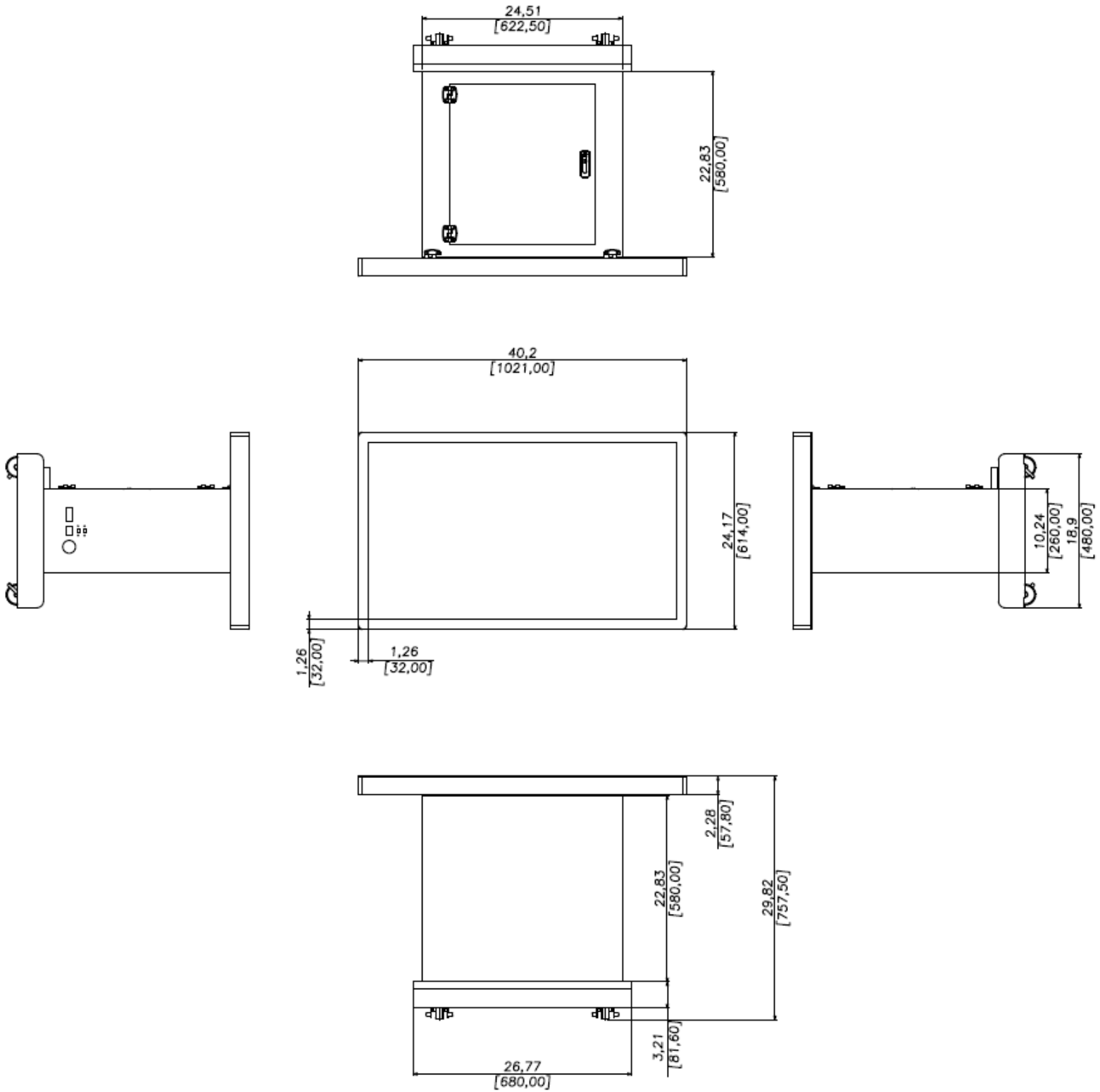


Product specification and design are subject to change without notice.

Copyright 2024, GPO Display All rights reserved. This document may not be copied in any form without written permission from GPO Display

Drawings

Adjustable Design



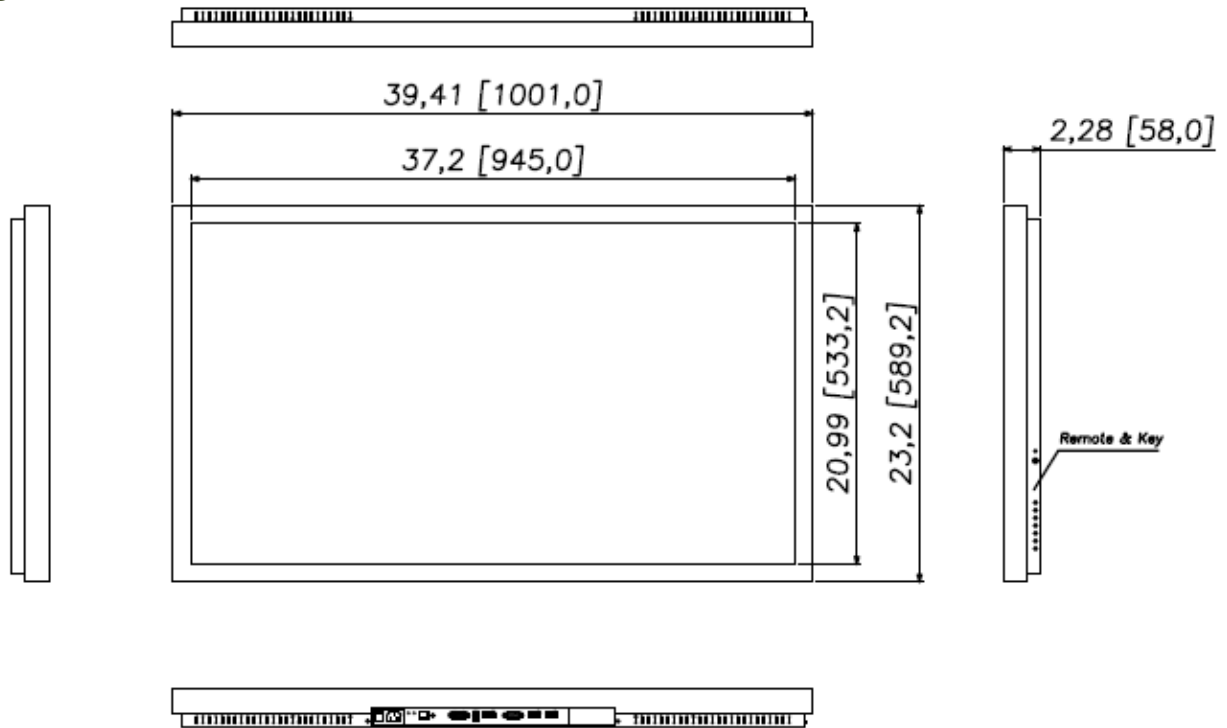
Product specification and design are subject to change without notice.

Copyright 2024, GPO Display All rights reserved. This document may not be copied in any form without written permission from GPO Display

Drawings

Table-Ready Design

Front View



Rear View

